

**GOBI JEEP CHEROKEE LADDER  
EXTERIOR DOOR HINGE  
INSTALLATION INSTRUCTIONS**

*The Gobi ladder must be inspected before each use to make certain attachments are secure, and for evidence of wear. Misuse of the ladder or failure to observe the manufacturer's instructions as to installation, proper attachment and maintenance will void any warranties that may be implied by law.*

**CAUTION****"LADDER IS TO BE TRAVERSED UPON****ONLY****WHEN THE REAR DOOR IS FULLY****CLOSED AND LOCKED"**

## GOBI JEEP CHEROKEE LADDER EXTERIOR DOOR HINGE INSTALLATION INSTRUCTIONS

### Guidelines:

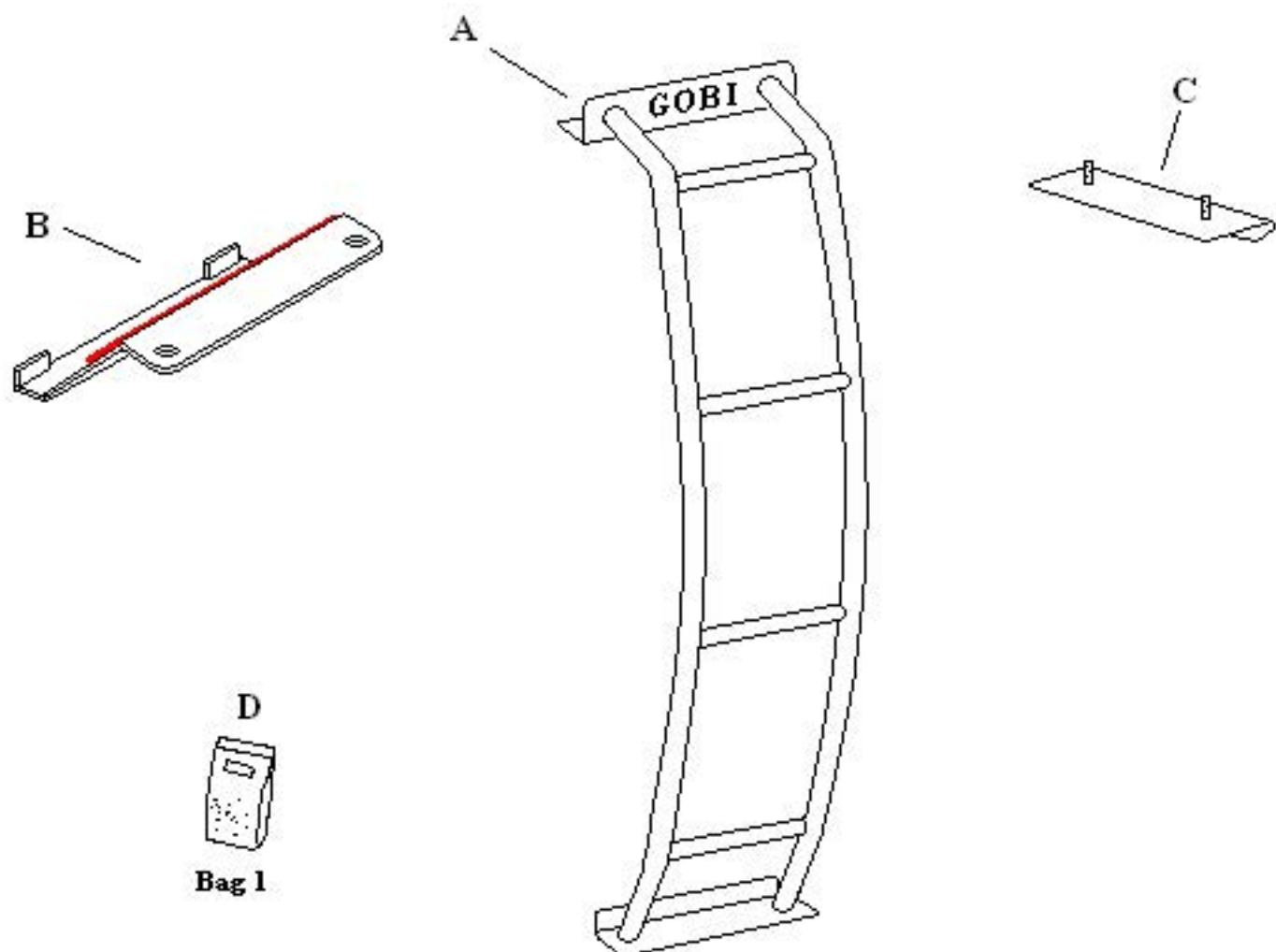
When using Load Carriers and Accessories, the user must understand the precautions. The points listed below will assist you in using the rack /carrier system and will encourage safety.

- For quality fits and safty, use only the recommended rack or accessory. Do not assume an accessory will fit, always check with dealer when obtaining new accessories. Use only approved accessories on load carriers. Using other brands will void your warrenty.
- Make sure all knobs, bolts, screws, straps, and locks are firmly attached, tightened and locked before every trip. Knobs, bolts, screws, straps, and locks must be periodically inspected for signs of wear, corrosion, and fatigue. Check your load at stops during the trip to insure continued fastening security.
- Check local and state laws governing projection of objects beyound the width of a vehicle. **Be aware of the width and height of your cargo since low clearance branches, bridges, and parking garages can affect the load** All cargo will affect the vehicle's driving behavior. Never drive with any lock, know, or rack in an open or unlocked position. All long loads such as, but not limited to sailboards, surfboards, kayaks, canoes, and lumber must be tied down front and rear to the bumpers or tow hooks, of the vehicle.
- Remove your rack accessories when they are not in use, before intering car washes, prior to taking in your vehicle for service, and whenever clearance may be an issue.
- All locks must be turned and moved periodically to insure smooth operation. Use graphite or similar dry lubricant to help this. Locks are designed to deter vandalism and theft. Remove valuable gear if your vehicle is unattended for an extended period. Place at least one key in the glove compartment.
- For safety to your vehicle and rack system, obey all posted speed limits and traffic cautions. Adapt your speed to the conditions of the road and the load being carried.
- Do not use load carriers and accessories for purposes other than those for which they were designed. Do not exceed their carrying capacity.
- Consult with your dealer if you have any questions regarding the operations and limits of this product. Review all instructions carefully.

## GOBI JEEP CHEROKEE LADDER EXTERIOR DOOR HINGE INSTALLATION INSTRUCTIONS

### Included in kit

Letter	Description	Location	Quantity
A	GOBI JEEP CHEROKEE REAR DOOR LADDER	Main box	1
B	LOWER LADDER CLAMP	strapped to ladder	1
C	LADDER HANGER BRACKET	strapped to ladder	1
D	GOBI LADDER MOUNTING HARDWARE CONTENTS: 2-5/16" x 18 Stainless Nuts 2-5/16" Stainless Lock washers 2-5/16" Black neoprene stainless washers 1-3/16 allen wrench 1-5/32" allen wrench 2- 5/16 x 1" Button head Screw SS 2- 5/16" Flat washers SS 2- 5/16" Lock washer SS	BAG #1 Pre-assembled to bottom of ladder	1



## GOBI JEEP CHEROKEE LADDER EXTERIOR DOOR HINGE INSTALLATION INSTRUCTIONS

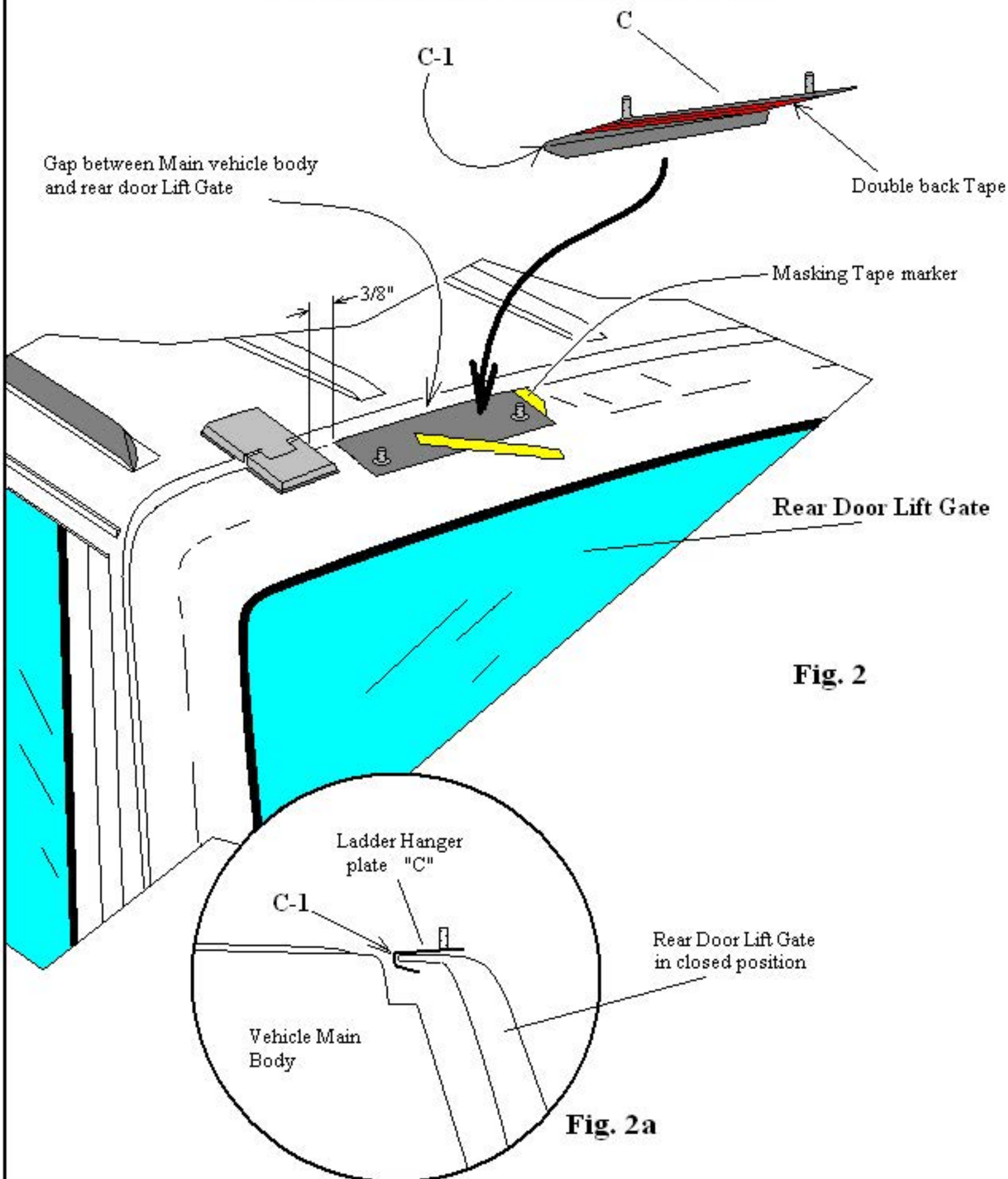
The Gobi ladder must be inspected before each use to make certain attachments are secure, and for evidence of Wear. Misuse of the ladder or failure to observe the manufacturer's instructions as to installation, proper Attachment and maintenance will void any warranties that may be implied by law.

### INSTALLATION INSTRUCTIONS:

- 1- Prior to install read all instructions carefully then refer back to page 3 and make certain all parts are present prior to install.
- 2- Refer to page 7 using masking tape or the like attach a piece of tape as shown in Fig. 4 at the top of the rear door Lift Gate approximately 3/8" from the top driver side door hinge. Continue to the bottom of the rear door Lift Gate and attach a piece of masking tape to the bottom of the door as shown in Fig. 4 8-7/8" from the left side or driver's side door edge and approximately 2-1/2" from the bottom of the door lip.
- 3- Refer to page 3 and remove ladder hanger plate "C" supplied with your parts kit **"Do not peel off the tape protective film at this time"**. Refer to page 5 and carefully slide hanger plate "C" as shown on Fig. 2 and Fig. 2a between the gap of the upper rear door Lift Gate and the main vehicle body. Once plate "C" has been slipped into the gap align the left edge of the ladder hanger plate "C" with the masking tape mark and pull ladder hanger plate "C" so that the inside edge "C-1" is up against the rear Lift Gate door's edge as shown in Fig. 2a. Use an additional piece of masking tape to hold down plate "C" from moving temporarily at this time.
- 4- Refer again to page 5 make certain the rear door Lift Gate is closed. Remove the ladder hanger plate "C" from the rear door clean the surface area where the hanger plate is to be attached with denatured alcohol. Peel off the tape protective film and refit ladder hanger plate "C" back into place and be sure that the inner edge "C-1" is in full contact with the rear door Lift Gate's upper edge as shown in Fig. 2a. Once in place press down firmly and hold for at least 30 seconds.
- 5- Refer to page 7 Fig. 4 attach ladder "A" onto upper ladder hanger plate "C" as shown. Align the lower ladder bracket "B-1" left side edge with the masking tape mark previously placed at the bottom of the rear door Lift Gate. Visually check that the ladder is vertically true and not tilted to one side or the other. If the ladder appears to be slanted to one side or the other move the ladder to correct the vertical position then reset the masking tape mark to the new position.
- 6- Refer to page 8 remove the ladder from hanger plate "C" then remove the two 5/16-18 x 1" button head screws, lock washers and flat washers "D" from the bottom of the ladder using the 3/16" Allen wrench supplied in your kit and place nearby as they will be needed shortly. Clean the area in which ladder "A" foot plate "B-1" is to be attached with denatured alcohol then Refer to page 7 and remove the double back protective film from the bottom of the ladder "A" foot plate "B-1" and reinstall ladder "A" back onto the hanger plate "C" as before. As you lower ladder "A" onto the rear door lift gate pull down firmly as you align the lower ladder foot plate "B-1" to the masking tape marker previously made.
- 7- Refer to page 8 Fig. 5 and Fig. 5a with the help of another person while still holding the ladder against the lift gate rear door open lift gate and install clamp "B" to the bottom of ladder "A" foot plate "B-1" and rear door lift gate as shown in Fig. 5 and Fig. 5a. Thread the two 5/16-18 x 1" button head screws, lock washers and flat washers "D" just recently removed back into the bottom of the ladder "B-1" using the 3/16" Allen wrench and fully tighten at this time.
- 8- Refer to page 7 Fig. 4 and install the cup shape black neoprene stainless steel washers, lock washers and nuts "B-4" to the upper hanger plate "C" as shown in Fig. 4 and fully tighten, **"DO NOT OVER TIGHTEN"**. Remove all previously applied masking tape markers. Installation is now completed.



## GOBI JEEP CHEROKEE LADDER EXTERIOR DOOR HINGE INSTALLATION INSTRUCTIONS

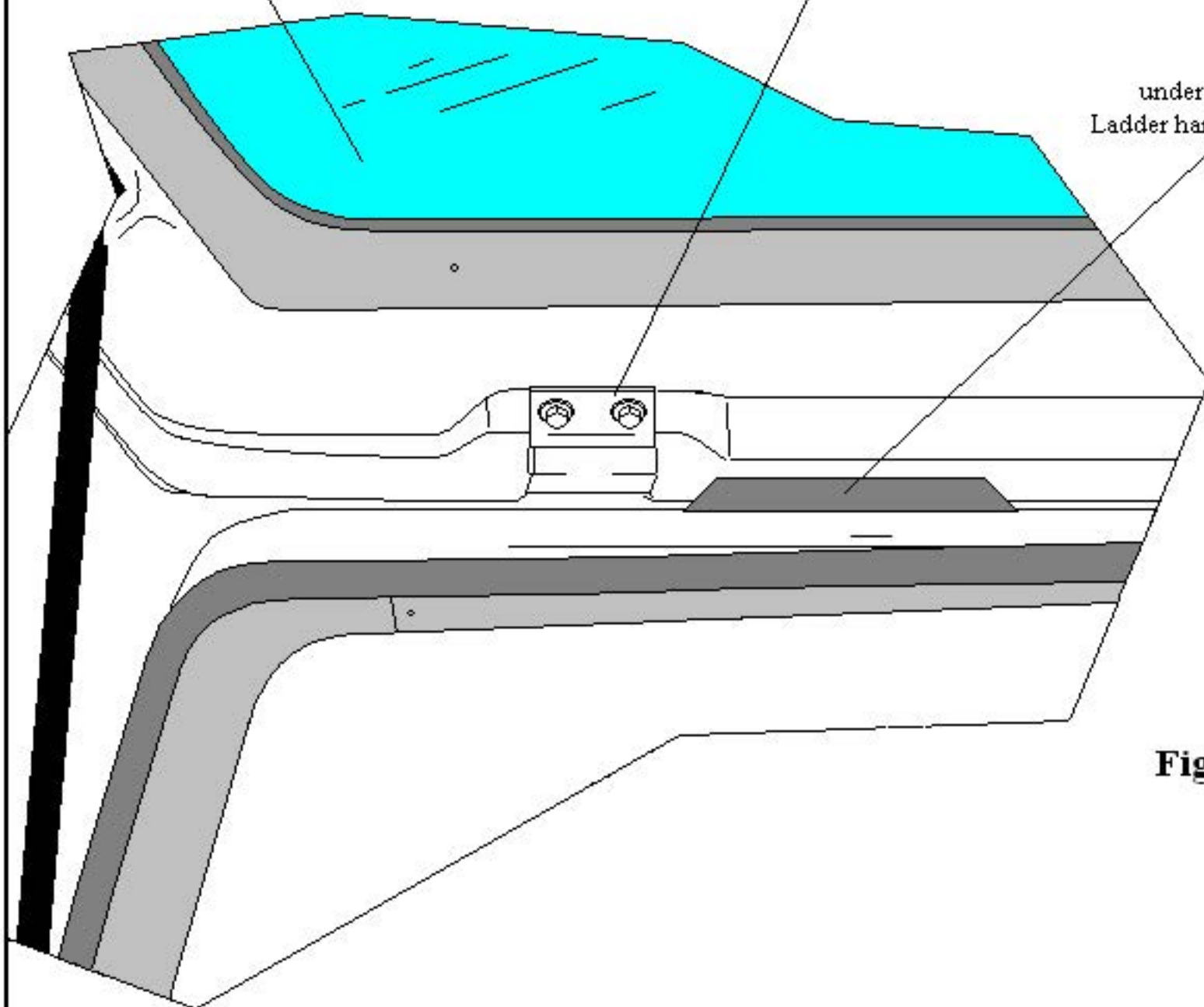


## GOBI JEEP CHEROKEE LADDER EXTERIOR DOOR HINGE INSTALLATION INSTRUCTIONS

Rear Door Lift Gate  
in the open position

Rear Door Drivers side  
support Hinge

underside of  
Ladder hanger plate "C"



**Fig. 3**

## GOBI JEEP CHEROKEE LADDER EXTERIOR DOOR HINGE INSTALLATION INSTRUCTIONS

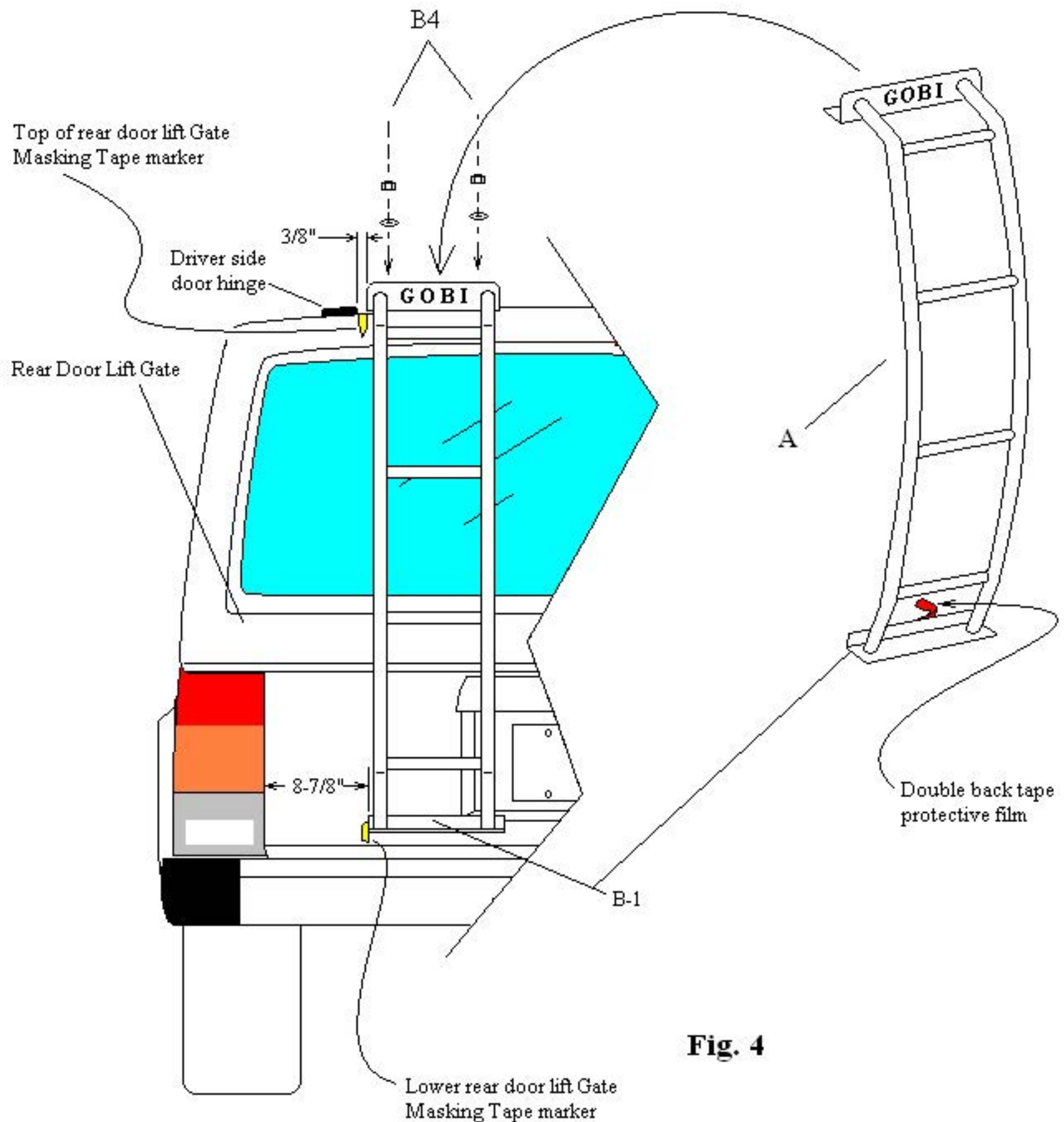
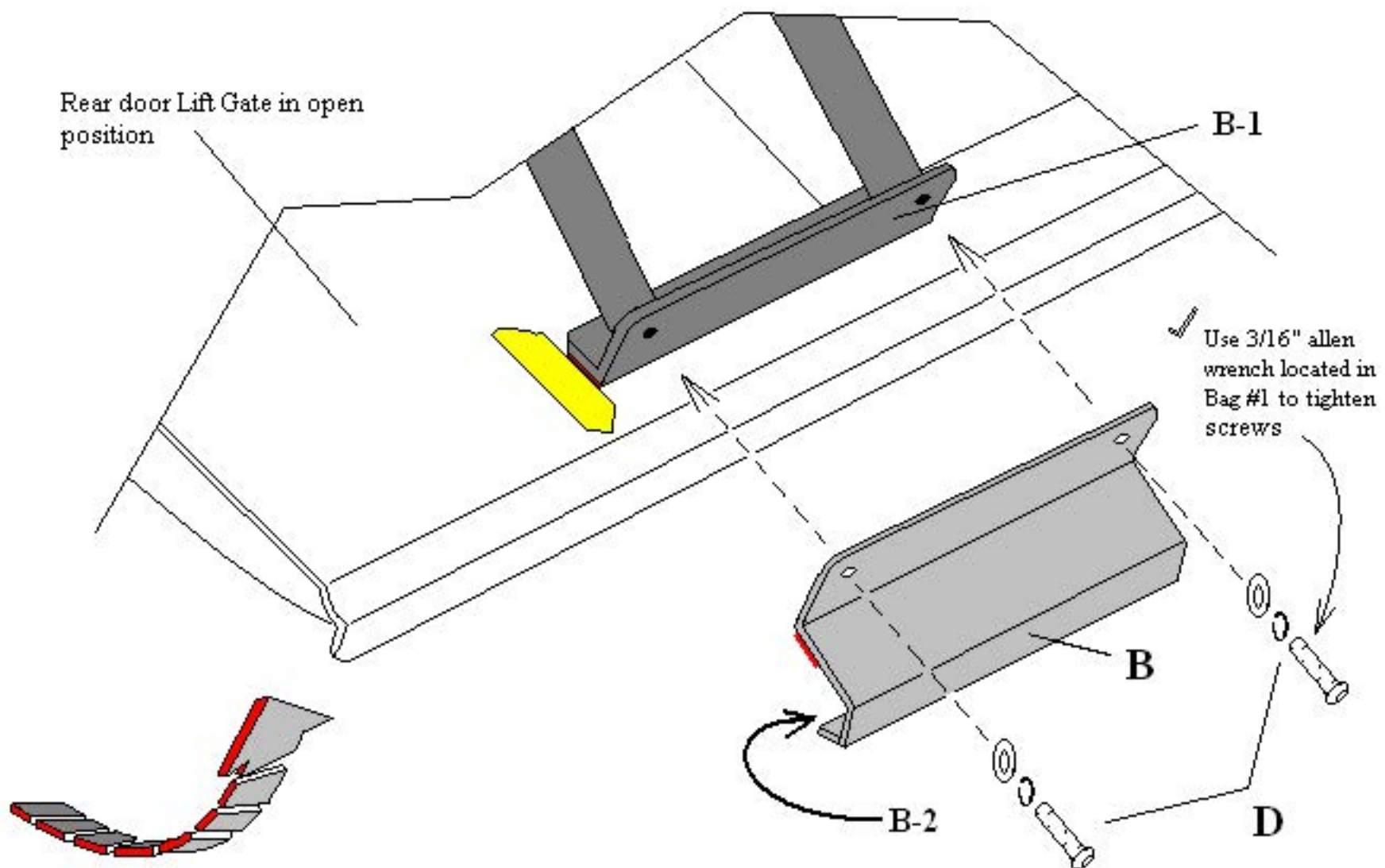
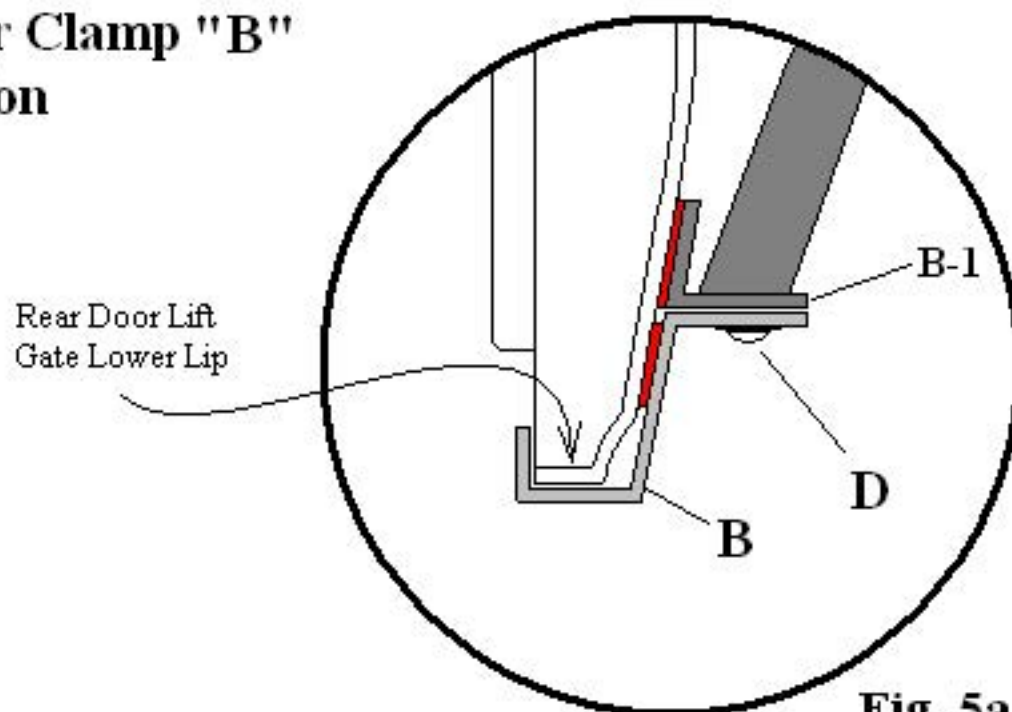


Fig. 4



**GOBI JEEP CHEROKEE LADDER  
EXTERIOR DOOR HINGE  
INSTALLATION INSTRUCTIONS****Rear Door Open and  
Lifted for Clamp "B"  
installation****Fig. 5****Fig. 5a**