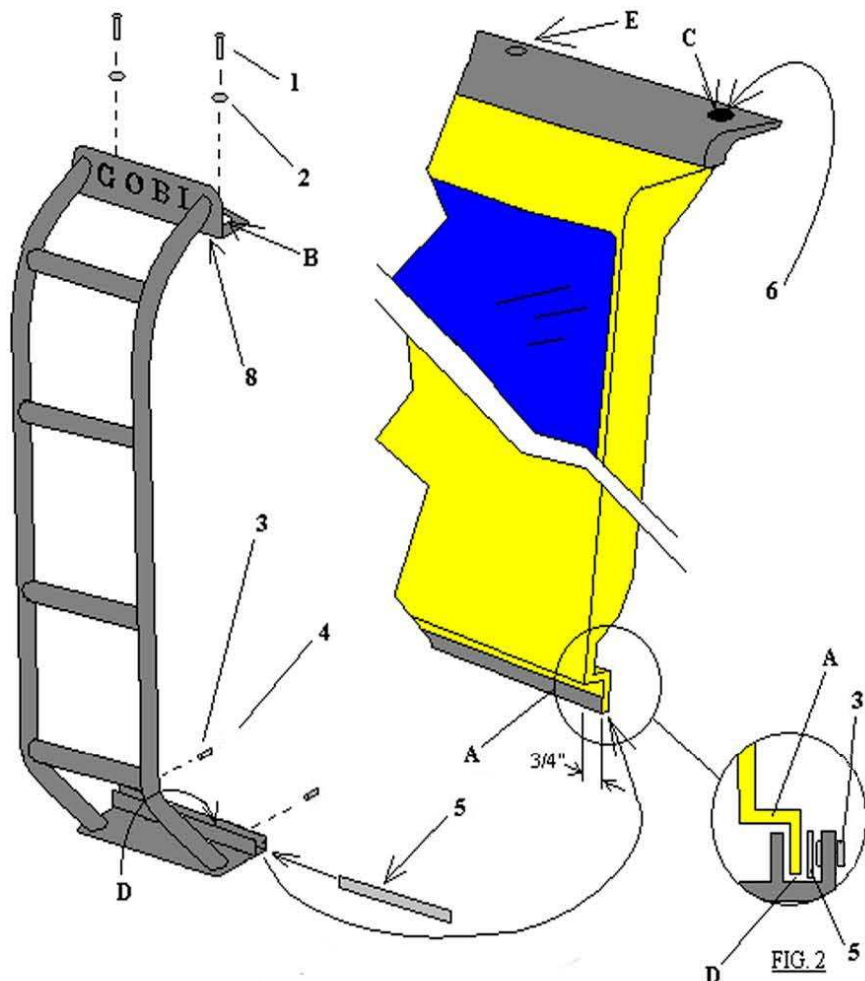
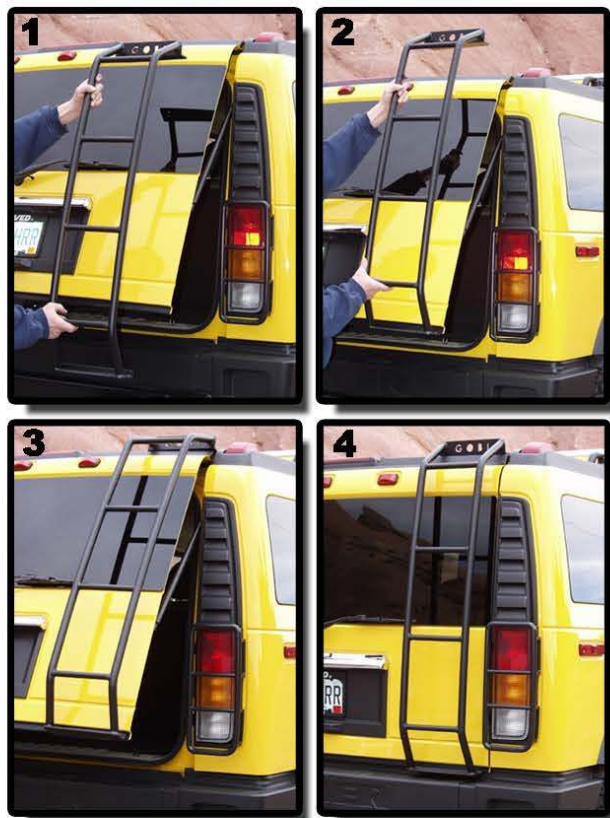


GOBI Hummer H2 Rear Door Ladder Part #GH2LAD



ASSEMBLY INSTRUCTIONS:

1. Remove upper door plastic plug #6
2. Insert stainless steel screws #3.
Make sure screws do not enter into ladder slot "D" at this time.
3. Place pinch plate #5 into ladder slot "D"
4. Place ladder slot "D" onto lower door lip "A" of rear door, approximately 3/4" from right side edge. Make sure pinch plate #5 rests on the inside of door lip "A" as shown in Fig.2.
5. Slide upper end of ladder #8 over the top of rear door and align ladder bolt hole "B" with rear door hole "C" and insert stainless steel screw #1, washer #2 and bolt down tight using washer, lock washer and nut provided.
6. Drill a 5/16" hole thru second bolt hole "E" of ladder upper section into and thru upper door. Insert screw, washer and bolt down tight using washer, lock washer and nut provided.
At this time be sure all bolts and nuts are tight and secure.

The ladder must be inspected before each use to make certain attachments are secure, and for evidence of wear. Misuse of the ladder or failure to observe the manufacturer's instructions as to installation, proper attachment and maintenance will void any warranties that may be implied by law.