

## GOBI JEEP GRAND CHEROKEE WK2 LADDER 2011–2020 INSTALLATION INSTRUCTIONS

*The Gobi ladder must be inspected before each use to make certain attachments are secure, and for evidence of Wear. Misuse of the ladder or failure to observe the manufacturer's instructions as to installation, proper Attachment and maintenance will void any warranties that may be implied by law.*

# CAUTION

**"LADDER IS TO BE TRAVERSED UPON**

**ONLY**

**WHEN THE REAR DOOR IS FULLY**

**CLOSED AND LOCKED"**

## GOBI JEEP GRAND CHEROKEE WK2 LADDER 2011–2020 INSTALLATION INSTRUCTIONS

### Guidelines:

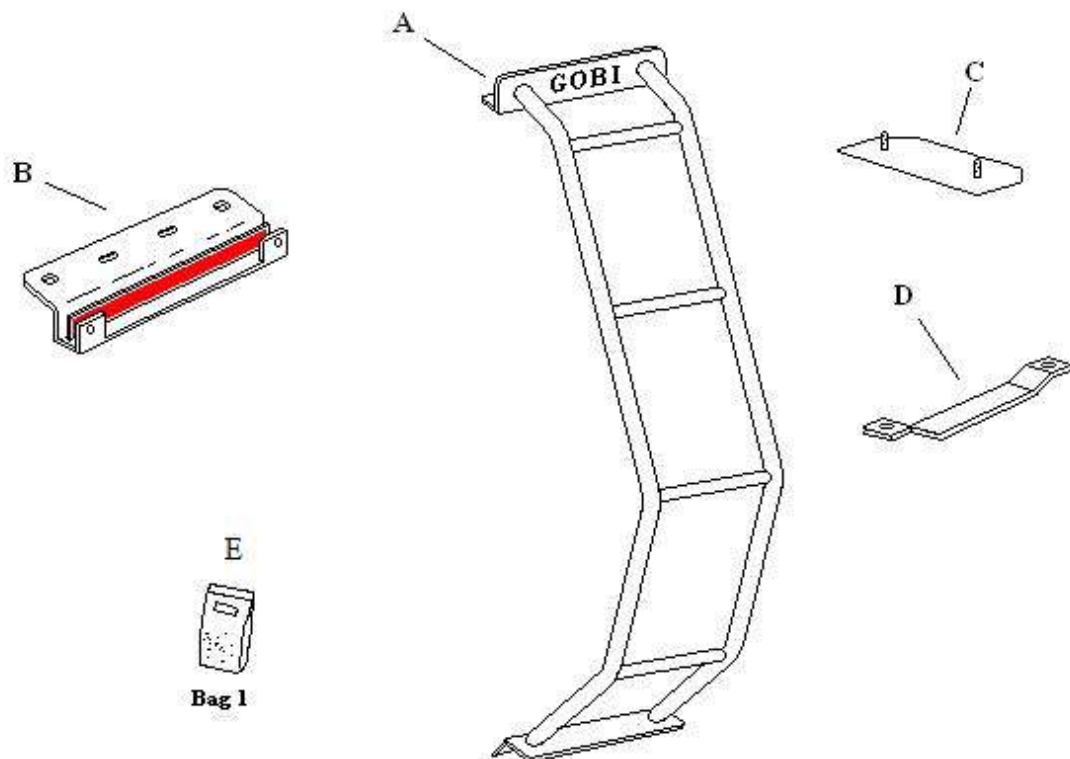
When using Load Carriers and Accessories, the user must understand the precautions. The points listed below will assist you in using the rack /carrier system and will encourage safety.

- For quality fits and safety, use only the recommended rack or accessory. Do not assume an accessory will fit, always check with dealer when obtaining new accessories. Use only approved accessories on load carriers. Using other brands will void your warranty.
- Make sure all knobs, bolts, screws, straps, and locks are firmly attached, tightened and locked before every trip. Knobs, bolts, screws, straps, and locks must be periodically inspected for signs of wear, corrosion, and fatigue. Check your load at stops during the trip to insure continued fastening security.
- Check local and state laws governing projection of objects beyond the width of a vehicle. **Be aware of the width and height of your cargo since low clearance branches, bridges, and parking garages can affect the load** All cargo will affect the vehicle's driving behavior. Never drive with any lock, knob, or rack in an open or unlocked position. All long loads such as, but not limited to sailboards, surfboards, kayaks, canoes, and lumber must be tied down front and rear to the bumpers or tow hooks, of the vehicle.
- Remove your rack accessories when they are not in use, before entering car washes, prior to taking in your vehicle for service, and whenever clearance may be an issue.
- All locks must be turned and moved periodically to insure smooth operation. Use graphite or similar dry lubricant to help this. Locks are designed to deter vandalism and theft. Remove valuable gear if your vehicle is unattended for an extended period. Place at least one key in the glove compartment.
- For safety to your vehicle and rack system, obey all posted speed limits and traffic cautions. Adapt your speed to the conditions of the road and the load being carried.
- Do not use load carriers and accessories for purposes other than those for which they were designed. Do not exceed their carrying capacity.
- Consult with your dealer if you have any questions regarding the operations and limits of this product. Review all instructions carefully.

## GOBI JEEP GRAND CHEROKEE WK2 LADDER 2011–2020 INSTALLATION INSTRUCTIONS

Included in kit

Letter	Description	Location	Quantity
A	GOBI JEEP GRAND CHEROKEE REAR DOOR LADDER	Main box	1
B	LOWER LADDER CLAMP	strapped to ladder	1
C	LADDER HANGER PLATE	strapped to ladder	1
D	LADDER BASE SUPPORT PLATE	strapped to ladder	1
E	<p>GOBI LADDER MOUNTING HARDWARE</p> <p>CONTENTS:</p> <ul style="list-style-type: none"> <li>2- 5/16" Stainless Nuts</li> <li>2- 5/16" Stainless Lock washers</li> <li>2- 5/16" Black neoprene stainless washer</li> <li>1- 3/16 allen wrench</li> <li>1- 1/8" Allen wrench</li> <li>2- 5/16 x 1" Button head Screw SS</li> <li>2- 5/16" Flat washers SS</li> <li>2- 5/16" Lock washer SS</li> </ul> <p style="margin-left: 150px;">} Pre-assembled to bottom of ladder</p> <ul style="list-style-type: none"> <li>2- 10-32 x 1" Stainless pan head screws</li> <li>4- 10-32 Stainless flat washer</li> <li>2- 10-32 Bright zinc nylock nut</li> </ul> <p style="margin-left: 150px;">} Attached to plate "D"</p>	BAG #1	1





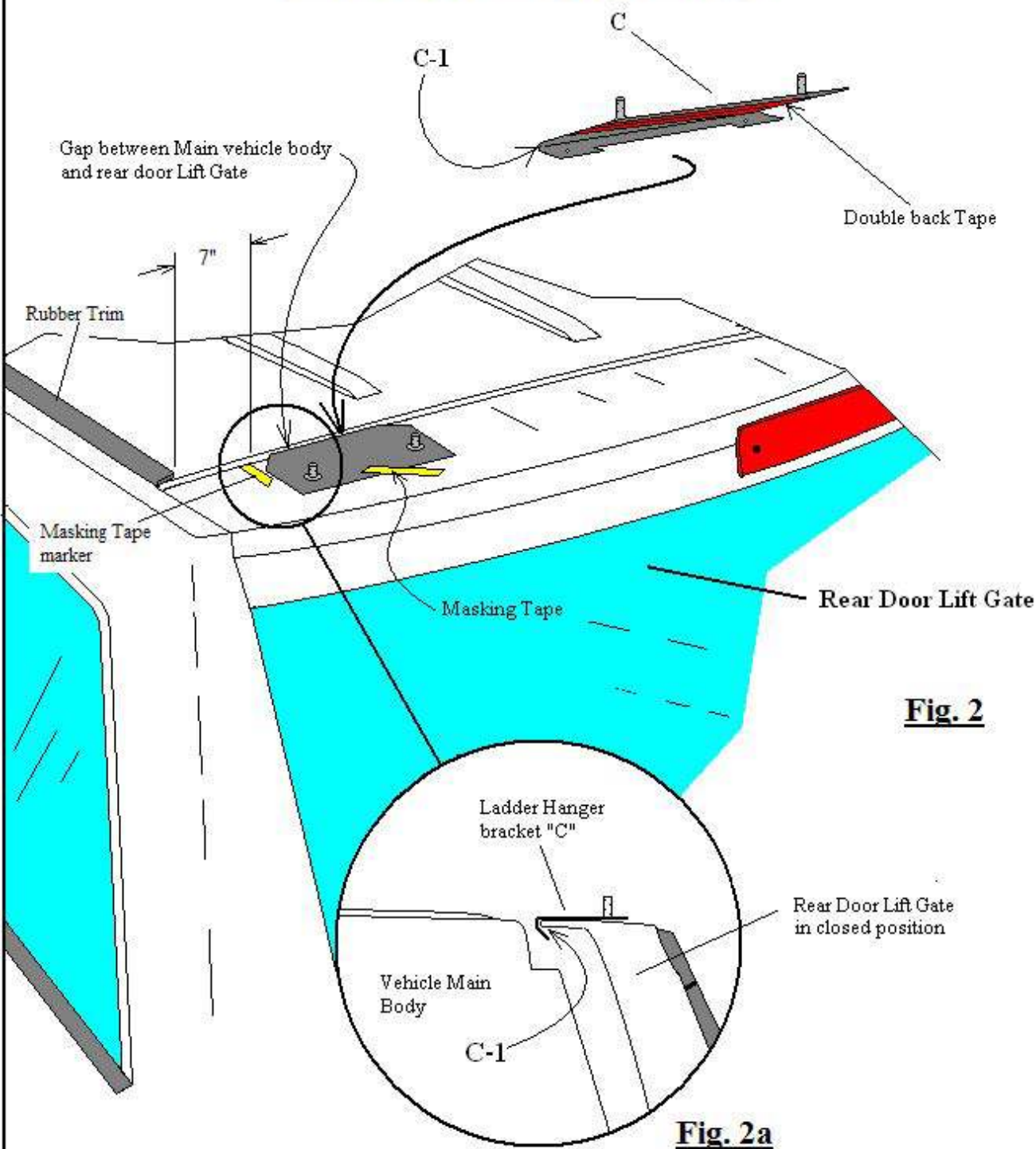
## GOBI JEEP GRAND CHEROKEE WK2 LADDER 2011-2020 INSTALLATION INSTRUCTIONS

### INSTALLATION INSTRUCTIONS:

- 1- Refer to page 3 and make sure all parts are present prior to install. Read all instructions prior to install for optimum results.
- 2- Refer to page 5 Fig. 2 using a piece of masking tape or the like attach a piece of tape as shown at the top of the rear door lift gate approximately (7") from the inner edge of the rubber trim.
- 3- Refer to page 2 and remove the ladder hanger plate (C) supplied in your parts kit **"Do not remove the double back protective film at this time"** carefully slide plate (C) as shown on page 5 Fig. 2 and Fig. 2a between the gap of the upper rear door lift gate and the main vehicle body. Once plate (C) has been slipped into the gap align the left edge of hanger plate (C) with the masking tape marker and pull the ladder hanger plate (C) so that the inside edge (C-1) is up against the rear lift gate doors edge as shown in Fig. 2a. Use an additional piece of tape to hold down plate (C) from moving temporarily at this time.
- 4- Refer to page 6 Fig. 4 and attach rear door ladder (A) on to the upper ladder hanger plate (C) as shown. Visually check that the ladder is vertically true and not tilted to one side or the other, you may want to use a level if needed. Once the ladder appears to be vertically true place a small piece of masking tape as a reference marker at the base of the lower door lift gate adjacent to the ladder as shown. Remove the ladder and clean the base of the lift gate where the ladder is to be attached with denatured alcohol.
- 5- Refer to page 5 Fig. 2 and remove the ladder hanger plate (C) from the door, clean the surface area where the ladder hanger plate is to be attached with denatured alcohol. Peel of the protective double back tape film and re-fit ladder hanger plate (C) back in place and be sure that the inner edge (C-1) is in full contact with the rear door lift gate's upper edge as shown in Fig. 2a. Once in place press down firmly for 30 seconds.
- 6- Refer to page 7 Fig. 5 and Fig. 5a remove from your hardware kit lower ladder clamp (B). Remove from lower clamp (B) a (1/2" x 10") aluminum pinch plate with double back tape attached. As shown in Fig. 5 and Fig. 5a clean the area on the outside and inside bottom lower lip of the rear door lift gate where the ladder was previously placed with denatured alcohol then peel off the double back tape from the aluminum pinch plate and attach to the inside door's lower lip as shown in Fig. 5a.
- 7- Refer to page 8 Fig. 6 and remove the two 5/16-18 x 1" button head screws, lock washers and flat washers (C) from the bottom of the ladder using the 3/16" Allen wrench located in your hardware kit (Bag #1). Place the screws nearby as they will be needed shortly. Refer to page 6 Fig. 4 and peel off the double back tape protective film from the bottom of ladder (A) as shown in Fig. 4 re-install the ladder back onto hanger plate (C) and rear door lift gate as before. As you lower ladder (A) onto the rear door lift gate pull down firmly as you align the lower ladder plate (A-1) with the bottom lower lift gate lip and masking tape marker and hold in place for 30 seconds.
- 8- Refer to page 8 Fig. 6 and Fig. 6a with the help of another person while still holding the ladder against the rear door lift gate, open lift gate and install clamp (B) to the bottom of ladder (A-1) and rear door lift gate lower lip as shown in Fig. 6 and Fig. 6a. Thread the two 5/16-18 x 1" screws, lock washer and flat washers just recently removed back into the bottom of ladder (A-1) using the 3/16" Allen wrench located in your hardware (Bag #1) and fully tighten at this time. Continue to the inside of clamp (B) and tighten screws (B-3) using the 1/8" Allen wrench also supplied in your hardware kit (Bag #1) as shown in Fig. 6a.
- 9- Refer to page 6 Fig. 4 and install washers, lock washers and nuts (B-4) to the upper hanger plate as shown in Fig. 4 and fully tighten **"DO NOT OVER TIGHTEN"**. Remove all previously applied masking tape markers.
- 10- Refer to page 9 Fig. 7 and Fig. 7a and remove from your hardware kit support plate (D) use the hardware attached to support plate (D) and attach to the bottom of the ladder plate (A-1) as shown and fully tighten screws.
- 11- Installation is now completed.

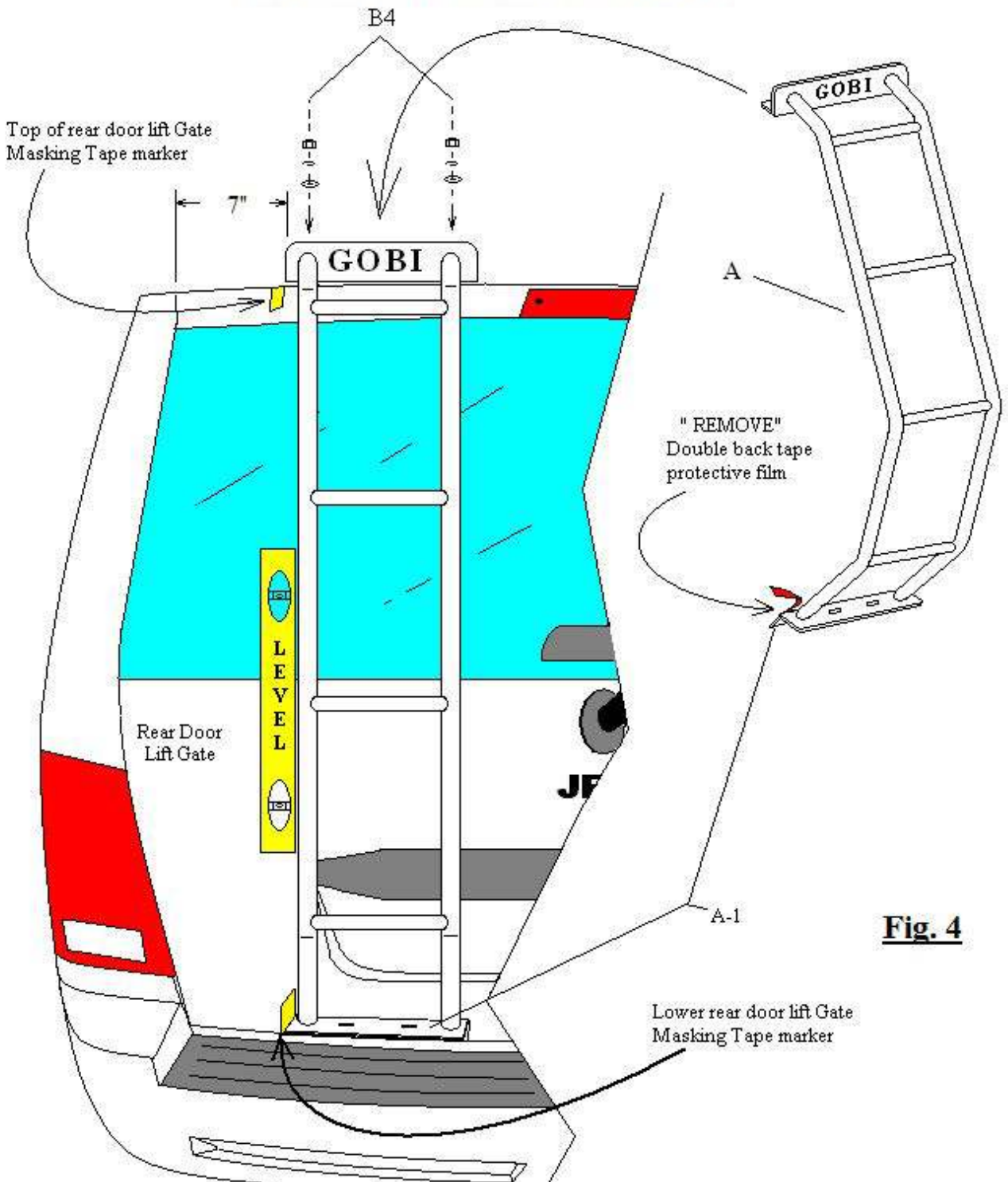
\*If you should experience a slow lifting rear door with the added ladder weight a stronger gas spring is available\*

## GOBI JEEP GRAND CHEROKEE WK2 LADDER 2011-2020 INSTALLATION INSTRUCTIONS



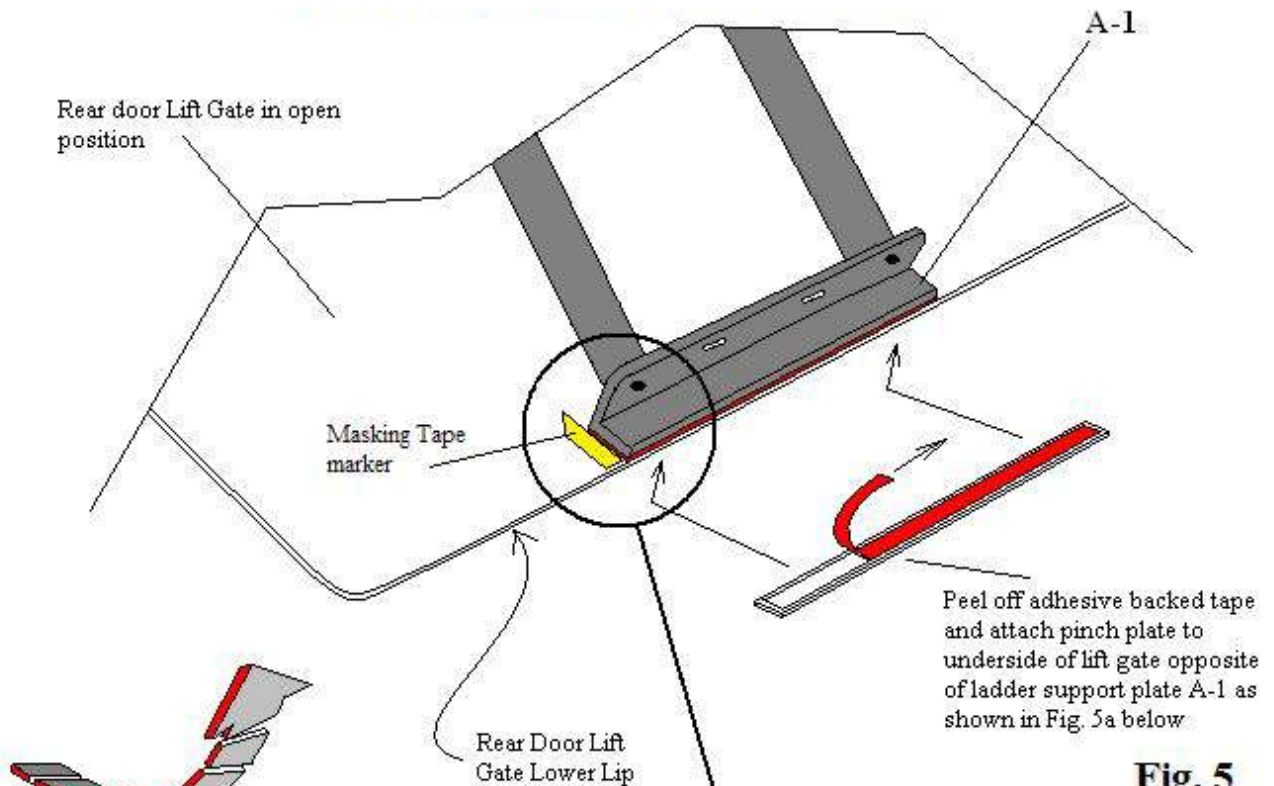


## GOBI JEEP GRAND CHEROKEE WK2 LADDER 2011-2020 INSTALLATION INSTRUCTIONS



**Fig. 4**

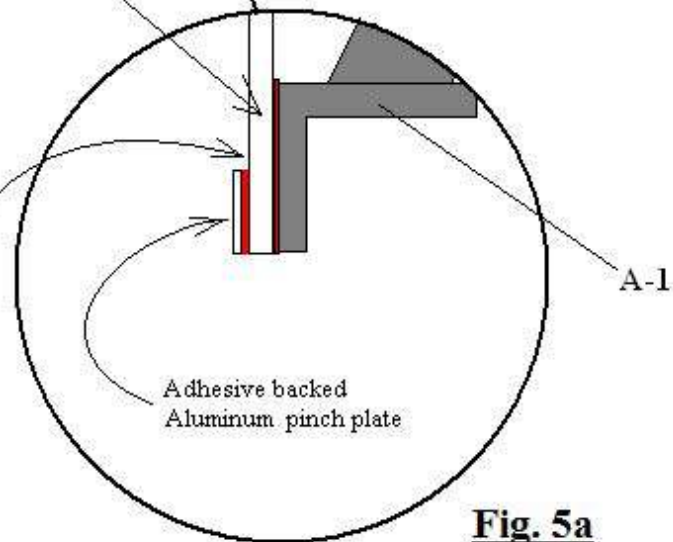
## GOBI JEEP GRAND CHEROKEE WK2 LADDER 2011-2020 INSTALLATION INSTRUCTIONS



**Fig. 5**

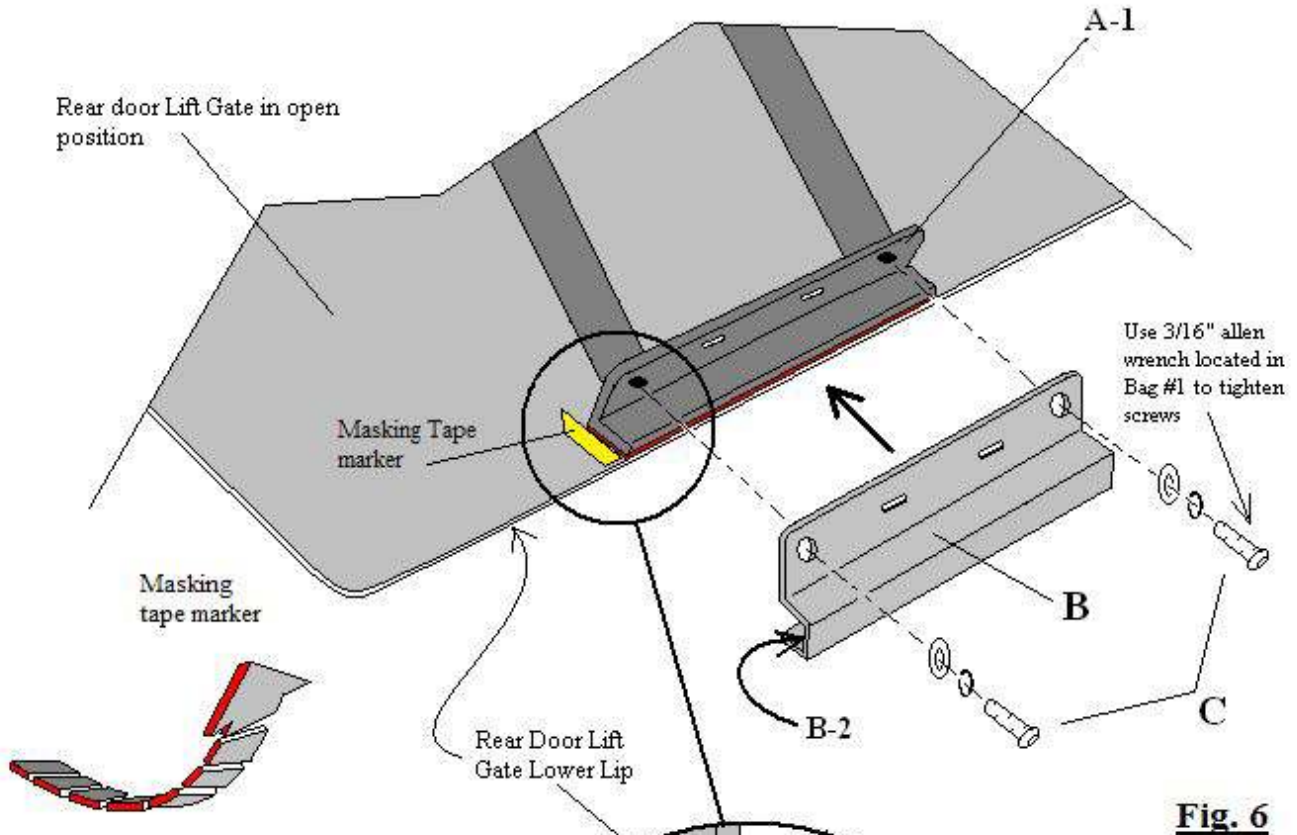
### Rear Door Open and Lifted for Clamp "B" installation

Clean the pinch plate contact area with denatured alcohol prior to install.

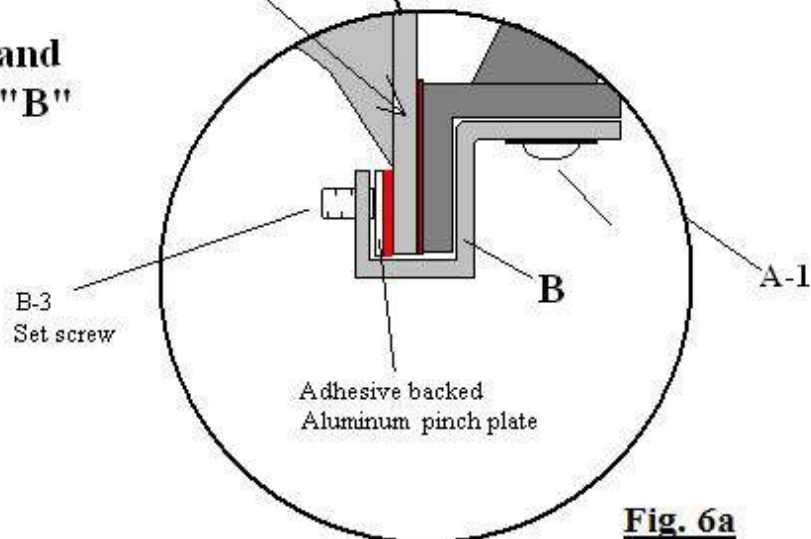


**Fig. 5a**

## GOBI JEEP GRAND CHEROKEE WK2 LADDER 2011-2020 INSTALLATION INSTRUCTIONS

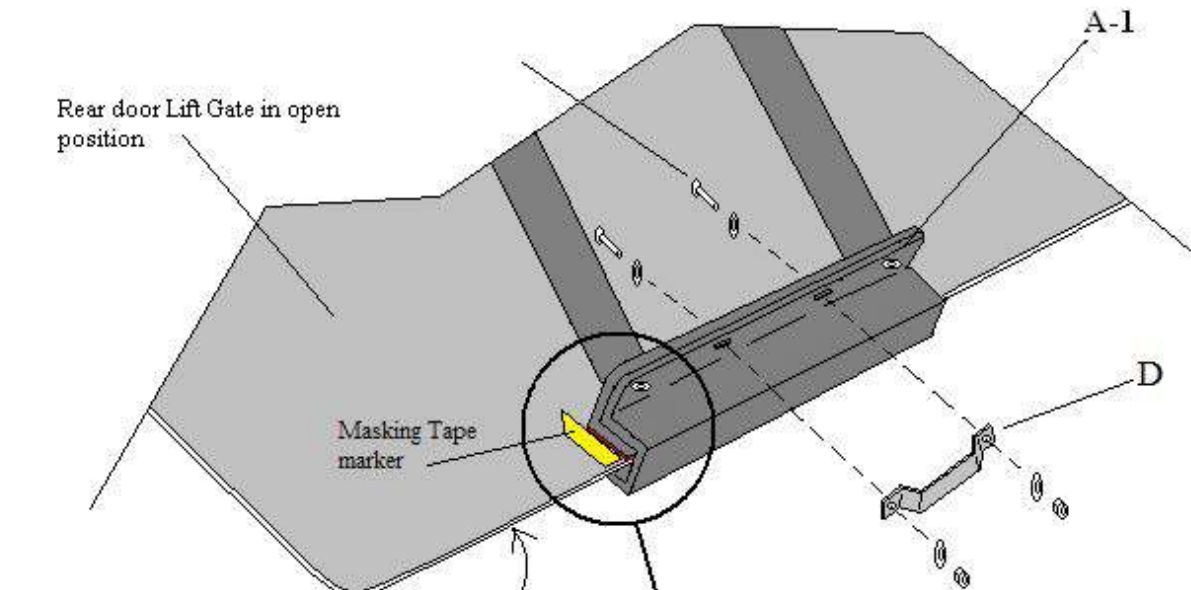


### Rear Door Open and Lifted for Clamp "B" installation





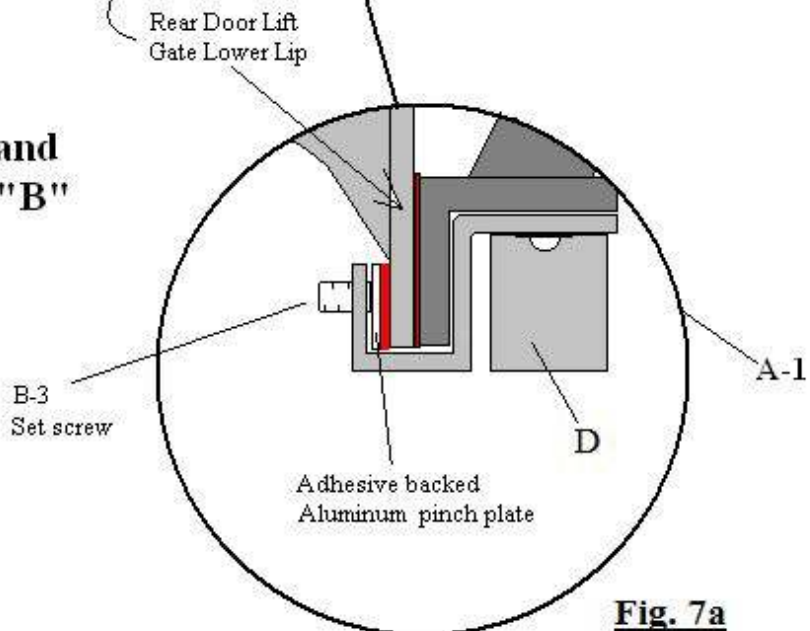
## GOBI JEEP GRAND CHEROKEE WK2 LADDER 2011-2020 INSTALLATION INSTRUCTIONS



**Fig. 7**



**Rear Door Open and Lifted for Clamp "B" installation**



**Fig. 7a**