

Part Number: PT970-60241

Kit Contents

Item #	Quantity Reqd.	Description
1	1	Roof Rack
2	1	Front Right Stanchion
3	1	Front Left Stanchion
4	1	Center Right Stanchion
5	1	Center Left Stanchion
6	1	Rear Right Stanchion
7	1	Rear Left Stanchion

Hardware Bag Contents

Item #	Quantity Reqd.	Description
1	1	User Manual
2	4	Washer Plates
3	4	Washers
4	14	Bolts

Additional Items Required for Installation

Item #	Quantity Reqd.	Description
1		
2		
3		

Conflicts

MY24 Land Cruiser with Raised Roof Rail

Recommended Tools

Personal & Vehicle Protection	Notes
Blanket	
Safety Glasses	
Special Tools	Notes
Installation Tools	Notes
Torque Wrench	0-17 N.m
Torx Bit	T30
Socket	13mm
Special Chemicals	Notes

General Applicability

MY24 Land Cruiser HV

Recommended Sequence of Application


Item #	Accessory
1	
2	
3	


*Mandatory


Vehicle Service Parts (may be required for reassembly)


Item #	Quantity Reqd.	Description
1	1	Service Kit
2	2	Cross Bar
3		


Legend


 **STOP:** Damage to the vehicle may occur. Do not proceed until process has been complied with.


 **OPERATOR SAFETY:** Use caution to avoid risk of injury.

 **CAUTION:** A process that must be carefully observed in order to reduce the risk of damage to the accessory/vehicle and to ensure a quality installation.

 **TOOLS & EQUIPMENT:** Used in Figures calls out the specific tools and equipment recommended for this process.

 **REVISION MARK:** This mark highlights a change in installation with respect to previous issue.

 **SAFETY TORQUE:** This mark indicates that torque is related to safety.

 **REGULATORY MARK:** This mark indicates the component is related to regulatory compliance

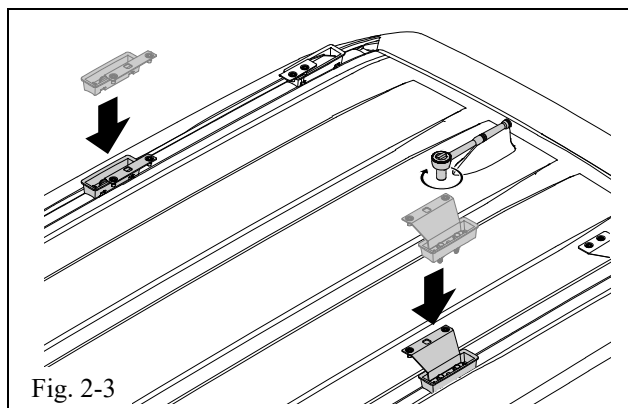
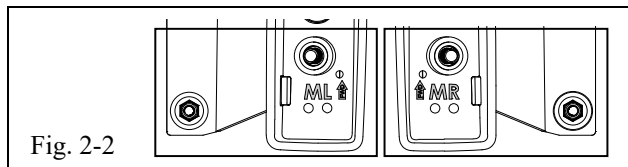
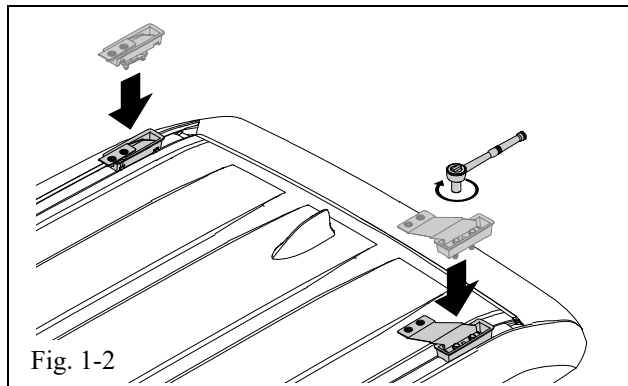
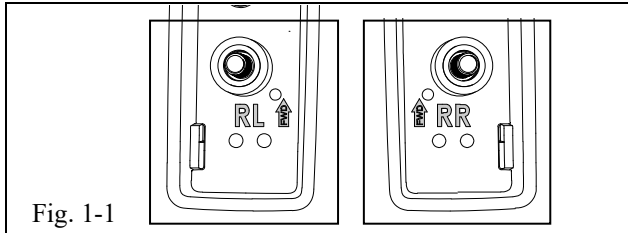
Care must be taken when installing this accessory to ensure damage does not occur to the vehicle. The installation of this accessory should follow approved guidelines to ensure a quality installation.

These guidelines can be found in the "Accessory Installation Practices" document.

This document covers such items as:-

- Vehicle Protection (use of covers and blankets, cleaning chemicals, etc.).
- Safety (eye protection, rechecking torque procedure, etc.).
- Vehicle Disassembly/Reassembly (panel removal, part storage, etc.).
- Electrical Component Disassembly/Reassembly (battery disconnection, connector removal, etc.).

Please see your Toyota dealer for a copy of this document.



1. Install the rear stanchions.

- (1) Remove the rear stanchion assembly from the box and remove the cardstock that holds the hardware in place.
- (2) Identify the placement and orientation of the stanchions, by referring to the letters and arrows embossed on the bottom of the stanchion. Fig 1-1
- (3) Place the rearmost stanchion assembly on the rearmost mounting point of the roof and tighten the bolts to 17 Nm. Fig 1-2.
- (4) Repeat for the other side.



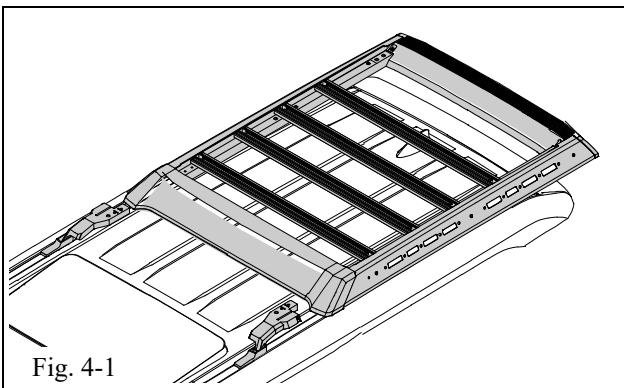
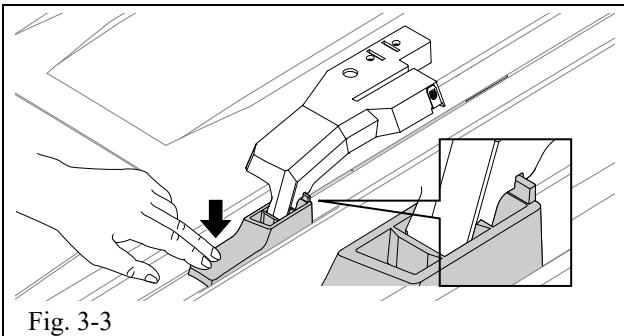
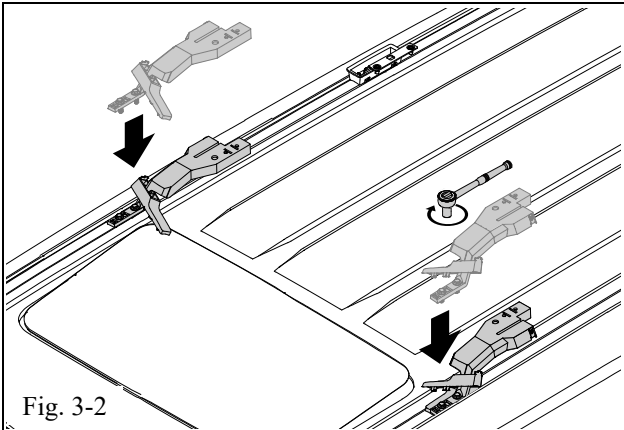
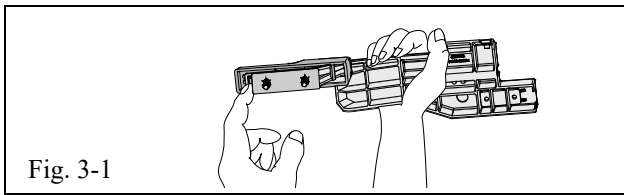
Nominal Torque: 17 Nm

2. Install the center stanchions.

- (1) Remove the center stanchion assembly from the box and remove.
- (2) Identify the placement and orientation of the stanchions, by referring to the letters and arrows embossed on the bottom of the stanchion.
- (3) Place the center stanchion assembly on the center mounting point of the roof and tighten the bolts to 17 Nm.
- (4) Repeat for the other side.



Nominal Torque: 17 Nm



3. Install the front stanchions.

- (a) Remove the front mounting assembly from the box and take off the plastic.
- (b) Use your finger to unclip the cover on the stanchion as shown in the detail view and rotate the cover inward out of the way. (Fig. 3-1).
- (c) Identify the placement and orientation of the stanchions, by referring to the image. (Fig. 3-2).
- (d) Place the front stanchion assembly on the front mounting point of the roof and tighten the bolts to 17 Nm. (Fig. 3-2).



Nominal Torque: 17 Nm

- (e) Guide the tab of the cover into the slot of the stanchion as shown in the detail view. (Fig. 3-3).
- (f) Then press on the cover as show until it the clip clicks into place and the cover is secured. (Fig. 3-3).
- (g) Repeat for the other side.

4. Place the platform on the vehicle.

- (a) Remove the roof rack from the box.
- (b) With the help of another person, start from the rear of the vehicle and move forward, then carefully set the roof rack down onto the rear and center stanchions as shown. (Fig. 4-1).

Fig. 4-1

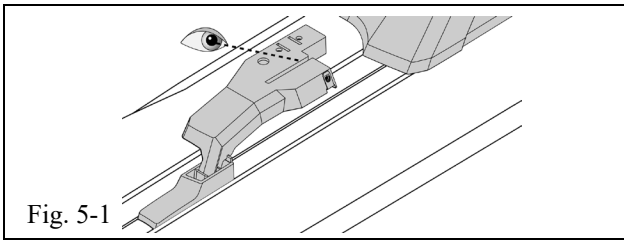


Fig. 5-1

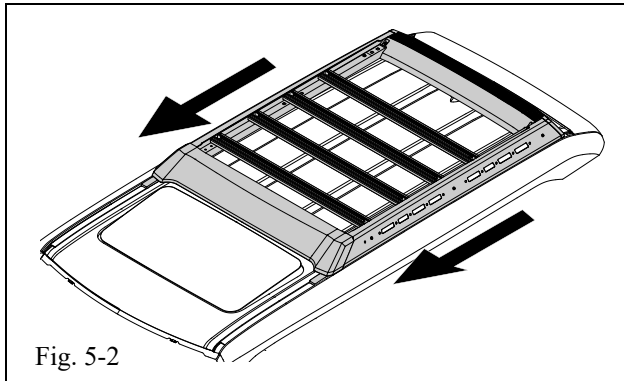


Fig. 5-2

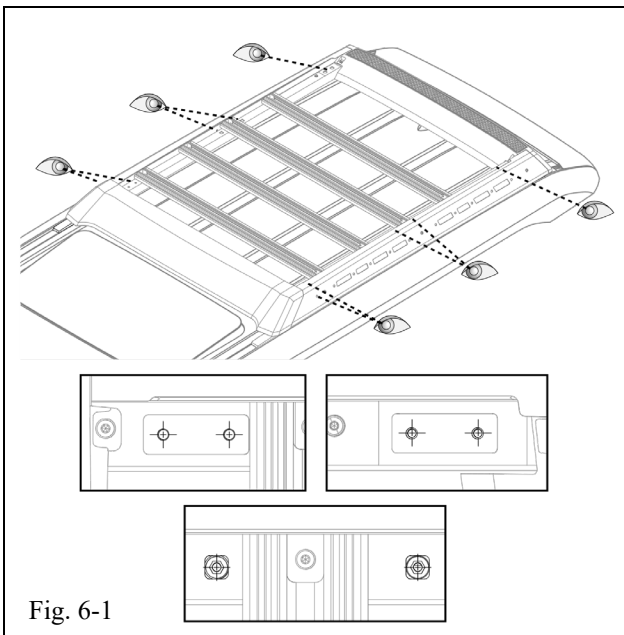


Fig. 6-1

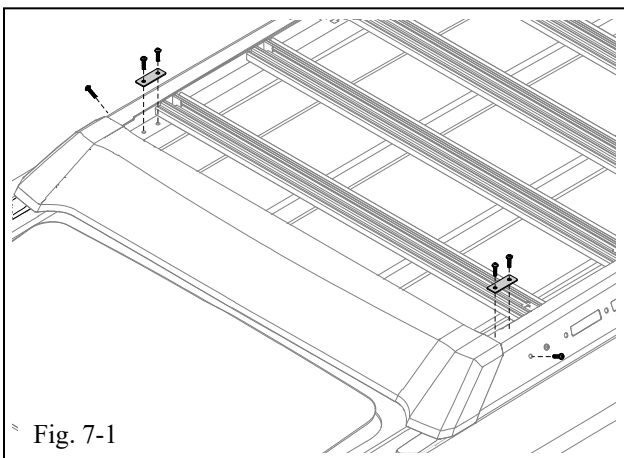


Fig. 7-1

5. Position the roof rack on the vehicle.

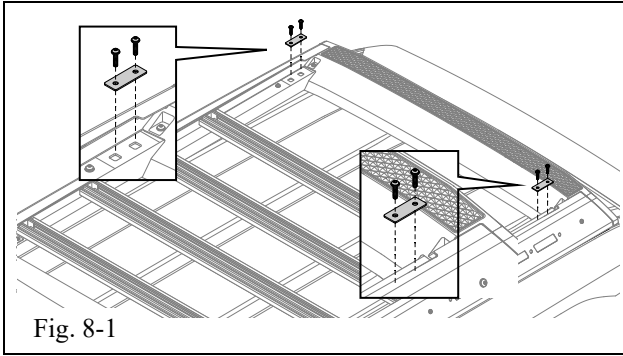
- (a) Make note of the slot on the front stanchions. (Fig. 5-1).
- (b) With the assistance of another person, carefully slide the roof rack forward, making sure that the rails underneath the roof rack on both sides enter the slot. (Fig. 5-2).

6. Verify the alignment of the roof rack.

- (a) Visually check that the holes on the roof rack align with the holes on the stanchions. Adjust if necessary. (Fig. 6-1).

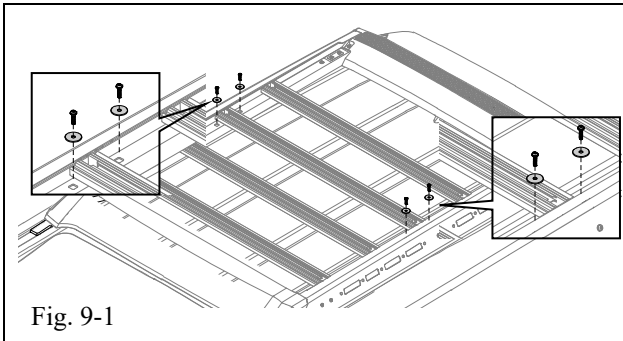
7. Install the front bolts.

- (a) Use a torx wrench to install a bolt on each side where shown. Then install a washer plate and two bolts in each location shown. Do not fully tighten the bolts yet. (Fig. 7-1).



8. Install the rear bolts.

- (a) At both locations shown, use a torx wrench to install a washer plate, and 2 bolts. Do not fully tighten the bolts yet. (Fig. 8-1).



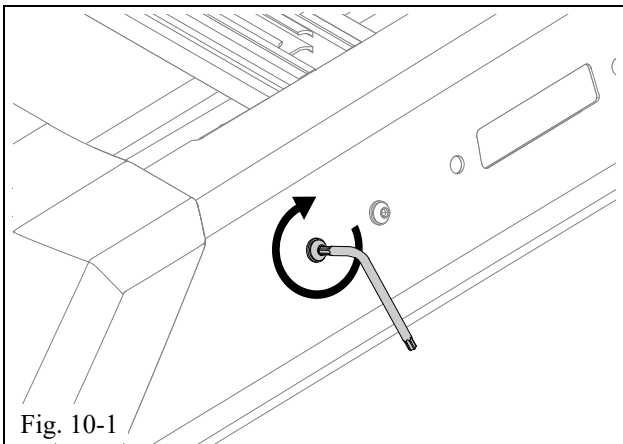
9. Install the middle bolts.

- (a) At each of the locations shown, use a torx wrench to install a washer and bolt. Do not fully tighten the bolts yet. (Fig. 9-1).

10. Fully torque the front side panel screws.

- (a) Tighten both of the front side panel screws completely to 5 Nm. (Fig. 10-1).

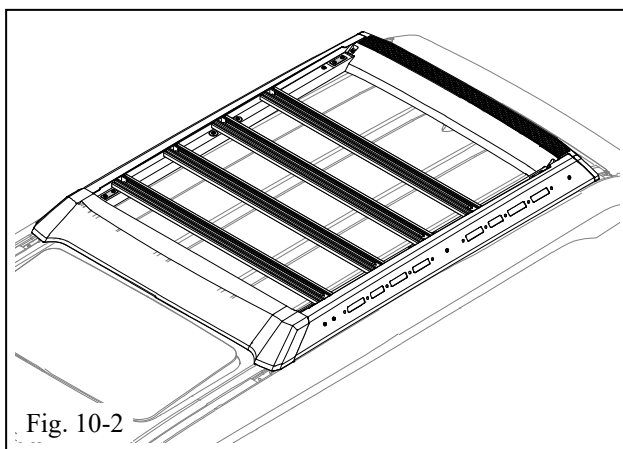
⚠ Nominal Torque: 5 Nm



11. Fully torque the remaining bolts.

- (a) Tighten all 12 bolts completely to 14 Nm. (Fig. 10-2).

⚠ Nominal Torque: 14 Nm



Checklist - these points **MUST** be checked to ensure a quality installation.

<u>Check:</u>	<u>Look For:</u>
<p><u>Accessory Function Checks</u></p> <p><input type="checkbox"/> Verify platform is firmly attached to rails.</p> <p><input type="checkbox"/> Verify covers are securely attached.</p>	<p>Platform does not move when pushed and pulled in all directions.</p> <p>Covers are fully seated and securely attached.</p>
<p><u>Vehicle Function Checks</u></p> <p><input type="checkbox"/> After accessory installation and removal of protective cover(s), perform a visual inspection</p>	<p>Ensure no damage (including scuffs and scratches) was caused during the installations process.</p> <p>(For PPO installations, refer to TMNA Accessory Quality Shipping Standard.)</p>
<p><u>Vehicle Appearance Check</u></p> <p><input type="checkbox"/> After accessory installation and removal of protective cover(s), perform a visual inspection.</p>	<p>Ensure no damage (including scuffs and scratches) was caused during the installation process.</p> <p>(For PPO installations, refer to TMNA Accessory Quality Shipping Standard.)</p>