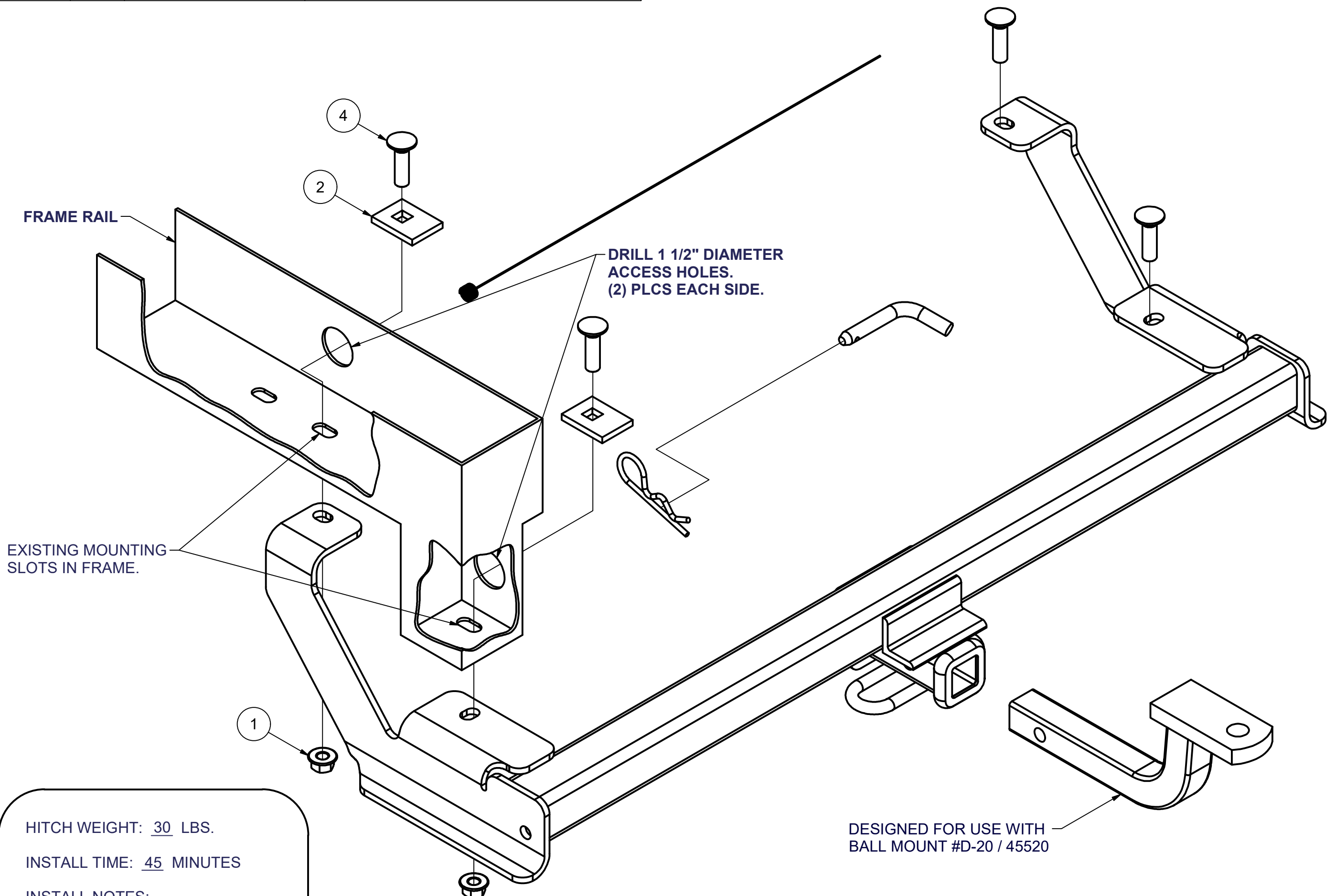


12089**86-97 FORD AEROSTAR**

10/21/2020

GROSS LOAD CAPACITY WHEN USED AS A WEIGHT CARRYING HITCH: 3,500 LBS. TRAILER WEIGHT & 350 LBS. TONGUE WEIGHT.
*****DO NOT EXCEED VEHICLE MANUFACTURER'S RECOMMENDED TOWING CAPACITY.*****

Parts List			
ITEM	QTY	PART NUMBER	DESCRIPTION
1	4	20-00062	NUT, SER-FLANGE, 1/2-13 UNC, GRD8, YZ
2	4	CM-SP1	.250 x 1.50 x 2.00" SQUARE HOLE SPACER
3	1	1_2 FISHWIRE	1/2" FISHWIRE
4	4	10-10272	BOLT, CAR, 1/2-13 UNC, 1-3/4, GRD8, YZ

HITCH WEIGHT: 30 LBS.INSTALL TIME: 45 MINUTES

INSTALL NOTES:

- DRILLING REQUIRED
- FISHWIRE HARDWARE

DESIGNED FOR USE WITH
BALL MOUNT #D-20 / 45520**INSTALLATION STEPS**

1. Lower spare tire and remove guide bolted to frame.
2. Drill 1 1/2" dia. access hole in two positions illustrated above. Repeat operation for other side.
3. Fishwire 1/2" carriage bolt and spacer block through the access hole to forward hole in frame. Fishwire 1/2" carriage bolt and block through access hole located in frame box as shown. Repeat operation for other side.
4. Lift hitch into position and attach appropriate hardware as shown. Repeat operation for other side.
5. Tighten all fasteners to 110 lb-ft.
6. Raise spare tire back into position using hitch as a guide.

PERIODICALLY CHECK THIS RECEIVER HITCH TO ENSURE THAT ALL FASTENERS ARE TIGHT AND THAT ALL STRUCTURAL COMPONENTS ARE SOUND.

Curt Manufacturing Inc., warrants this product to be free of defects in material and/or workmanship at the time of retail purchase by the original purchaser. If the product is found to be defective, Curt Manufacturing Inc., may repair or replace the product, at their option, when the product is returned, prepaid, with proof of purchase. Alteration to, misuse of, or improper installation of this product voids the warranty. Curt Manufacturing Inc.'s liability is limited to repair or replacement of products found to be defective, and specifically excludes liability for incidental or consequential loss or damage.