

INSTALLATION INSTALLATIONS

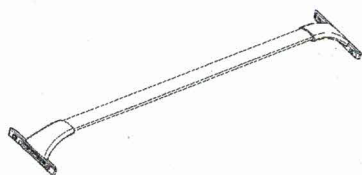
DESCRIPTION: Roof Cross Bar Kit

APPLICATION: Rogue

PART NUMBER: Roof Cross Bar Kit

KIT CONTENTS:

Item	Qty	Part Description
A	1	Cross Bar -Front
B	1	Cross Bar -Rear
C	8	M6 Torx Bolt - 26MM Long
D	1	T30 Torx Wrench
E	1	Installation Instruction Replacement Template



A, B



C



D



E

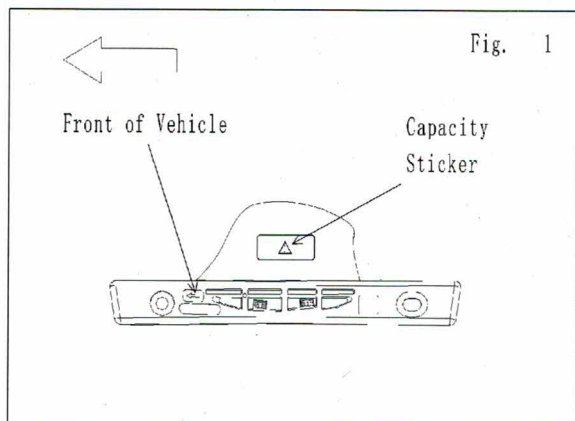
TOOLS REQUIRED:

None.

PRE-INSTALLATION WARNINGS, CAUTIONS, CRITICAL STEPS, AND NOTES:

- * Deale Installation Recommended. Instructions may refer to Service Manual.
- * Removal and Re-Installation of Cross Bars requires purchase of new M6 bolts or the re-application of Thread locking adhesive such as LOCTITE ® 242 ® or equivalent.
- * Do not attempt to adjust fasteners on the underside of the brackets .Fasteners are pre-adjusted to the proper torque requirement by the manufacturer.

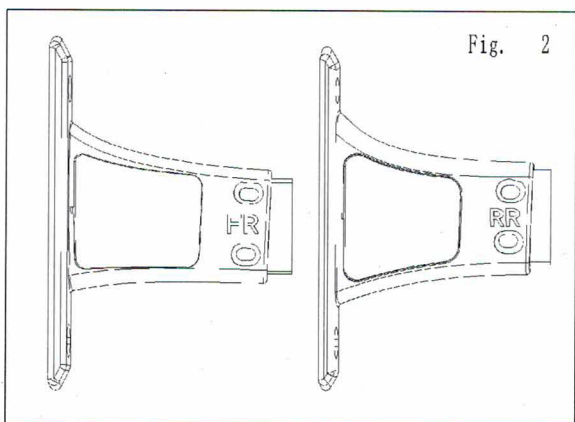
INSTALLATION PROCEDURE:



! CAUTION

*Make sure sunroof is in closed position during installation process

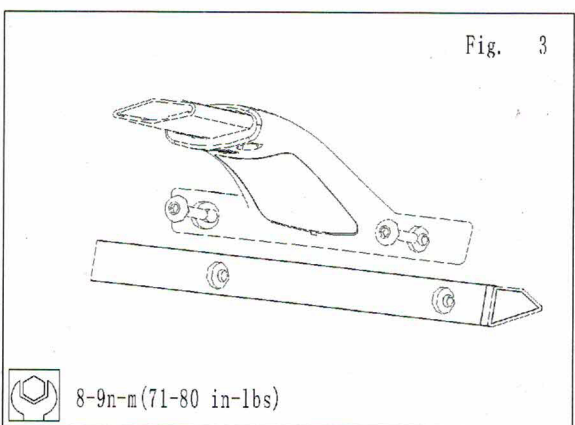
*Arrow points forward.



- *Each cross bar marked with "FR" or "RR".
- *Front (FR) cross bar installed on side rail in front of rear doors.
- *Rear (RR) cross bar installed on side rail behind rear doors.

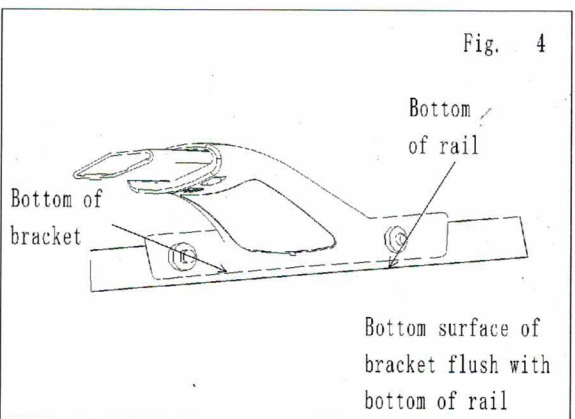
! CAUTION

*Protect painted area on the vehicle roof under crossbars by placing a piece of cloth under crossbars to prevent scratch damage.



Make sure that cross bar is properly in place on side rail with attaching holes/slots positioned over rivet nuts before tightening to specifications. 8-9n-m (71-80 in-lbs)

- 1) Loosely install all 4 bolts on front (FR) cross bar.
- 2) Secure forward bolt on driver side first and then secure remaining 3 bolts to proper torque (FIG 3).
- 3) Repeat procedure for rear (RR) cross bar.



- 4) Make sure that bottom surface of cross bar bracket is flush with bottom surface of side rail prior to tightening bolts (fig 4)
- 5) Place TORX key and instruction template in polybag and keep in vehicle glove box.