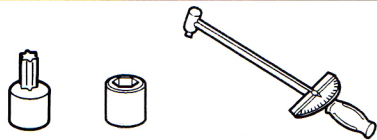
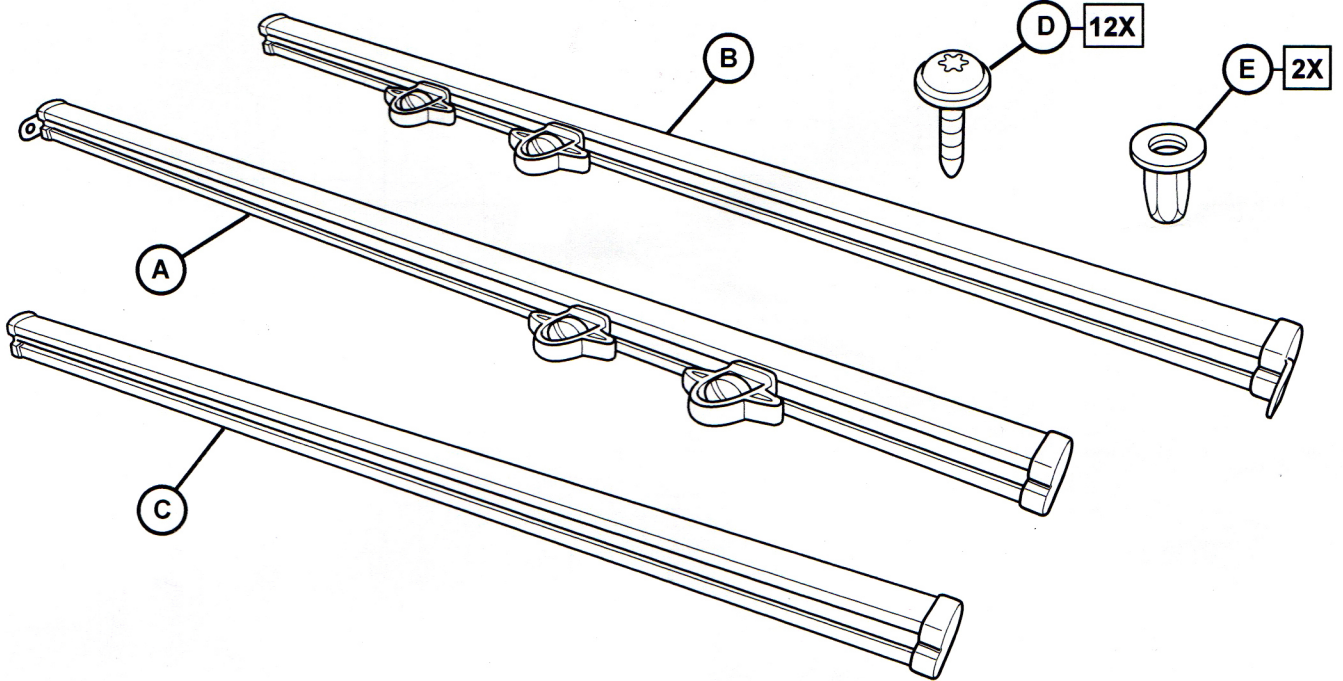
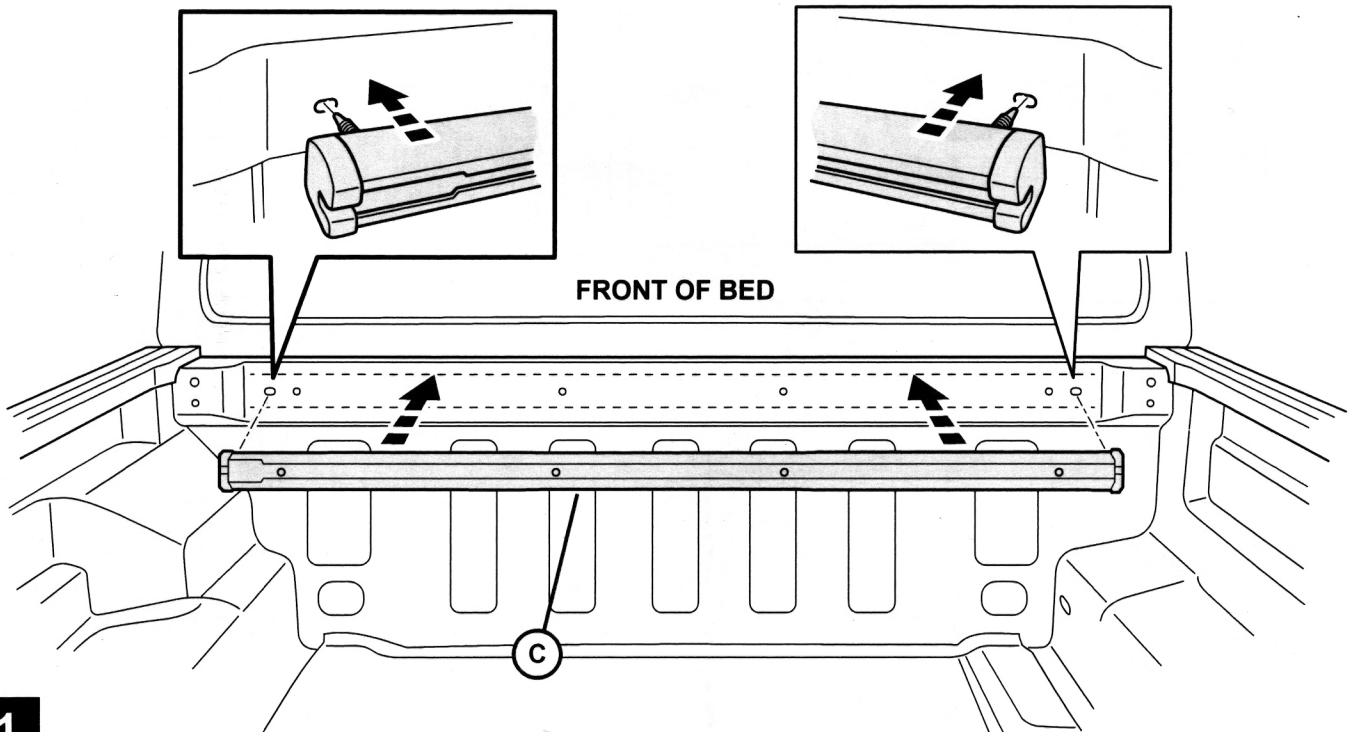
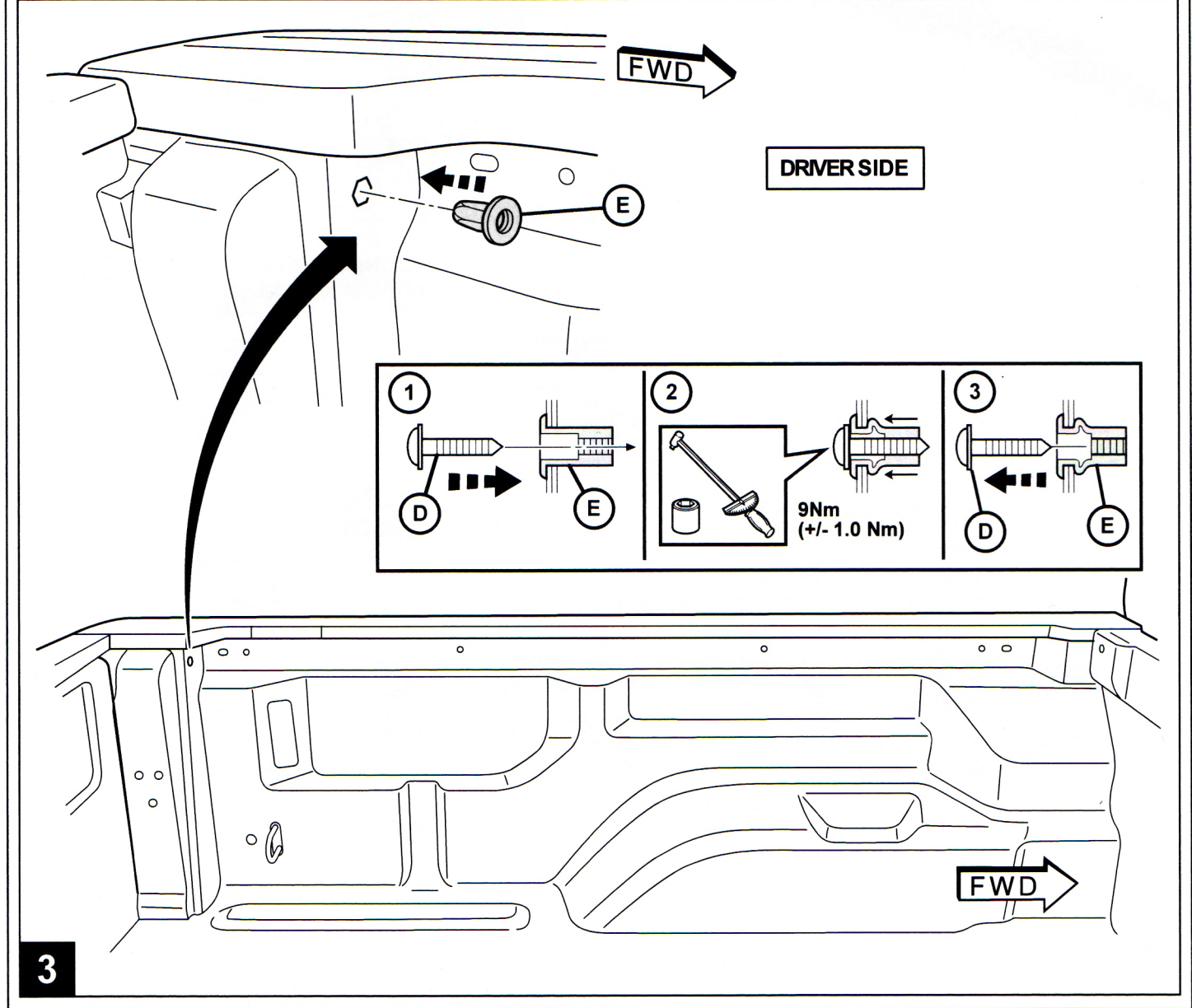
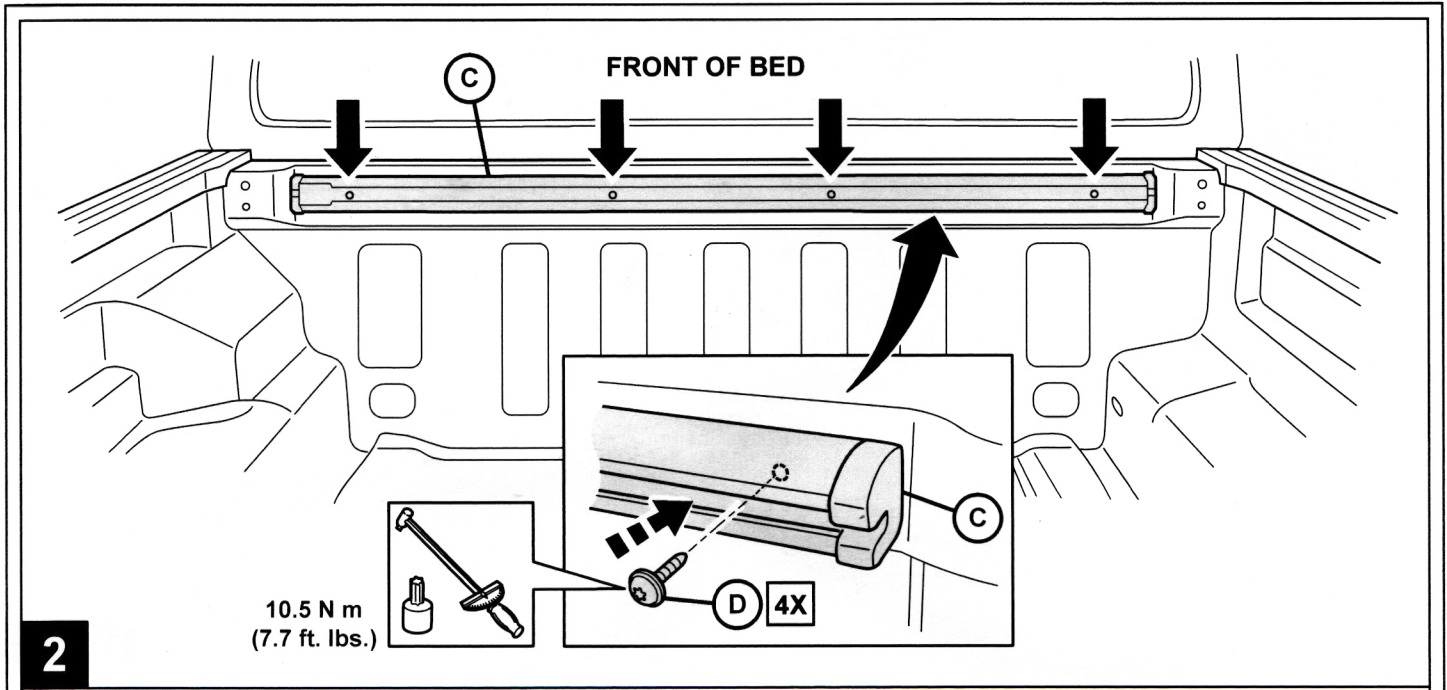


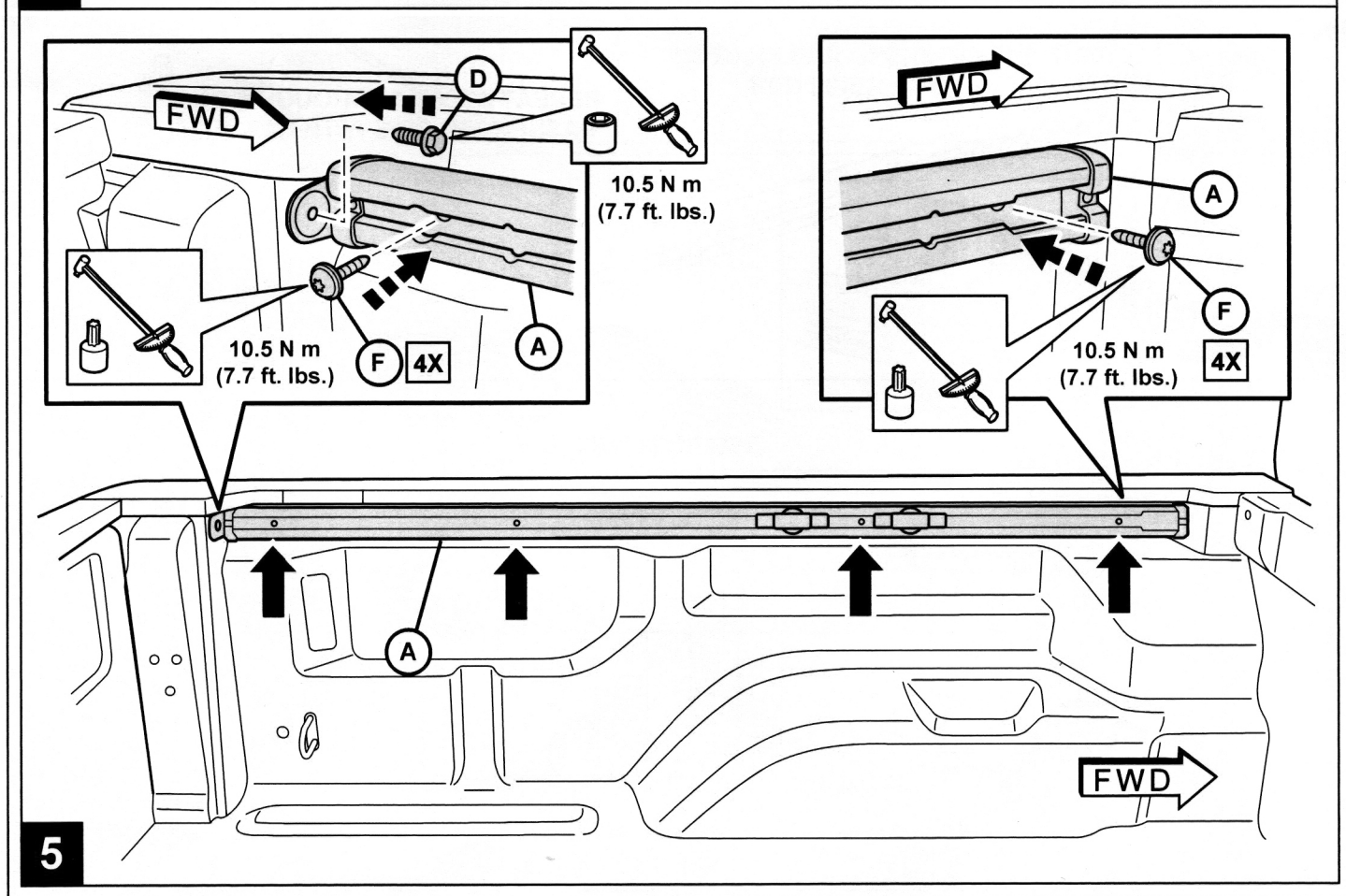
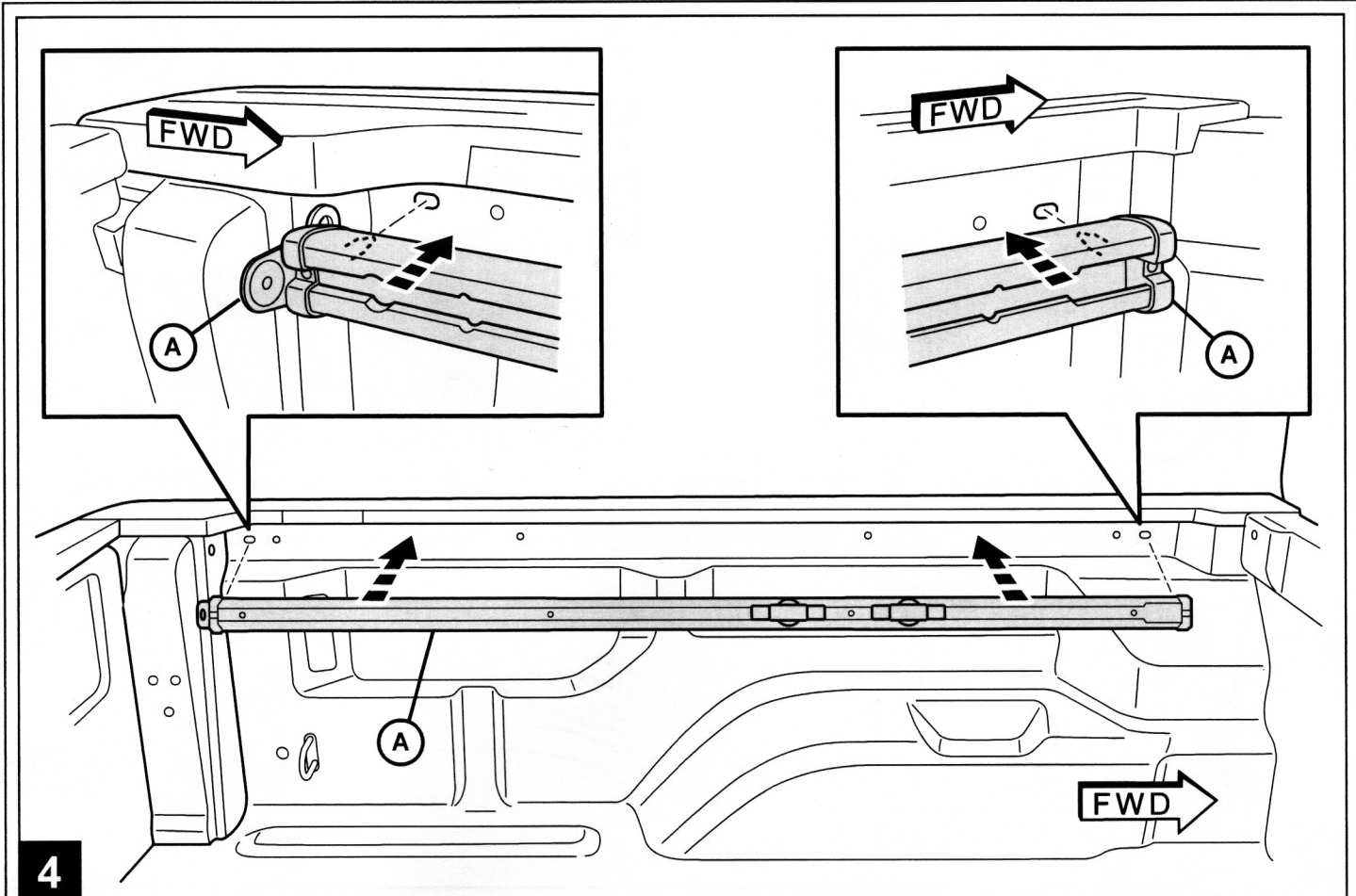
TIE DOWN RAILS JEEP GLADIATOR

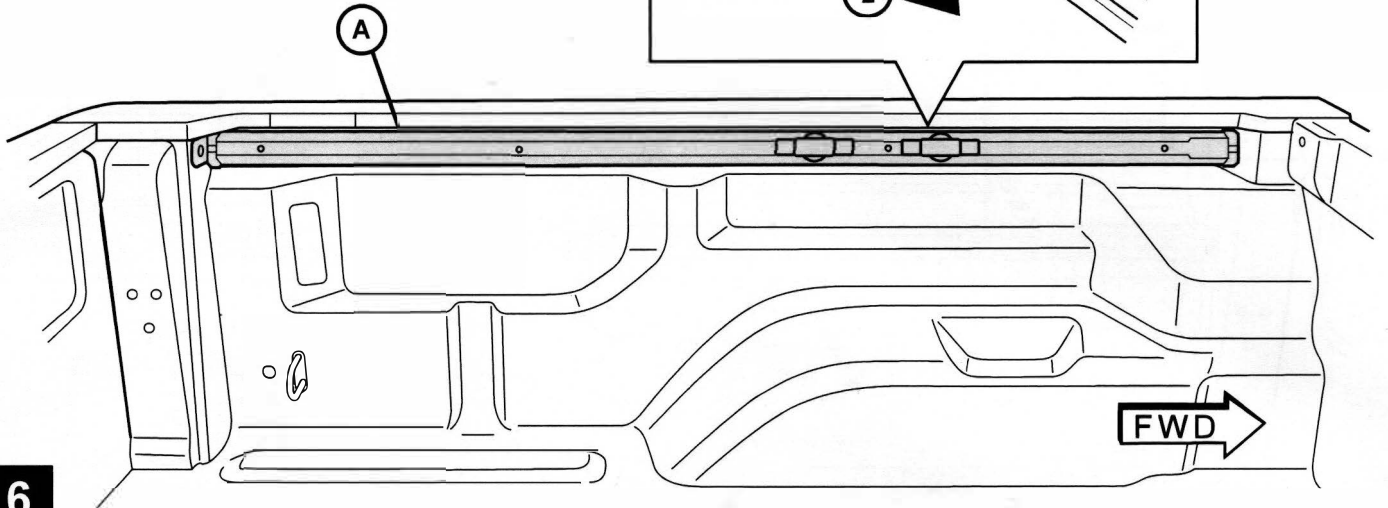
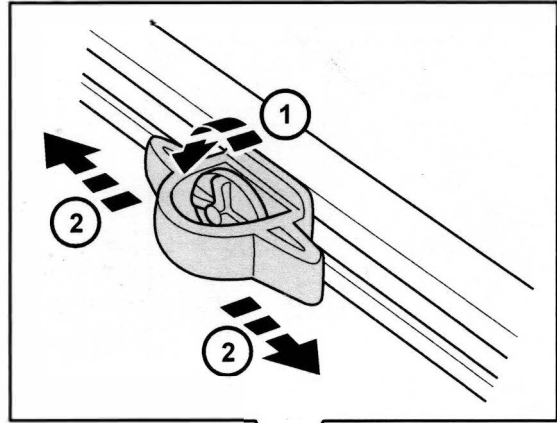


**NOTE: CLEAR OPENINGS AND THREADS OF ANY
BED LINER RESIDUE IF NECESSARY**



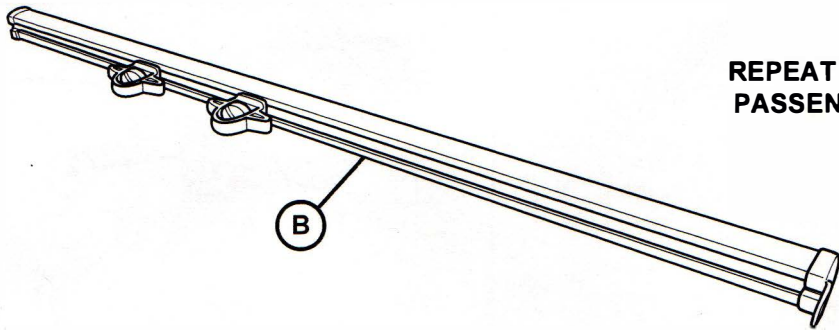






6

REPEAT STEPS 3 THROUGH 5 ON PASSENGER SIDE WITH RAIL (B)



7